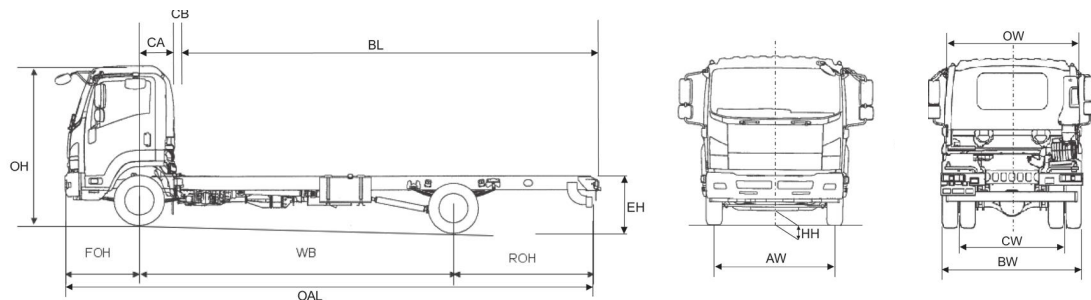




specifications:

Isuzu 'Forward' F110.240 11.00T GVW / EURO VI-D (Manual transmission) 4x2 rigid



Axle weights (kg)		
UK standard vehicle plated weights (kg)	GVW	11000
	GTW (Standard)	14500
UK Axle design weights (kg)	Front	4000
	Rear	7600

Weights (kg) Provisional		
Cab type		day
Wheelbase	WB	3410
Vehicle Mass Unladen	Front	2380
	Rear	1185
Total		3565
GVW		11000
Body & Payload Allowance		7435
Max. Permissible Trailer Weight		3500

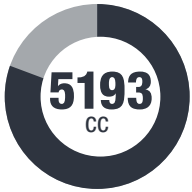
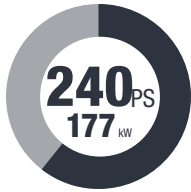
Dimensions (mm)		
Overall Length	OAL	6010
Overhang - Front	FOH	1170
Overhang - Rear	ROH	1430
Cab Gap	CB	150
C/L Front Axle to Rear of Cab	CA	556
Recommended Body Length	BL	4500
Chassis Frame Width		840
Recommended Body Width		2550
Recommended Maximum Body Width		2550
Cab Width	OW	2195
Overall Height (Unladen)	OH	2510
Chassis Height (Unladen)	EH	895
Minimum Road Clearance	HH	185
Track - Front	AW	1795
Track - Rear	CW	1660
Rear Axle Width	BW	2220

1. Unladen weights excludes driver, fuel, AdBlue®, Includes spare wheel + carrier (Tolerance +/- 3%). 2. Body lengths are given as a guide only. Bodybuilders are responsible for ensuring all legal requirements are met. 3. Maximum body lengths are calculated to remain within the overhang ratio of 60% of the wheel base. Cab gaps may vary. 4. Isuzu Truck (UK) Ltd. shall have no liability whatsoever should the information supplied have incorrect data, descriptions or illustrations.

F110.240 Mechanical Specification (standard equipment)

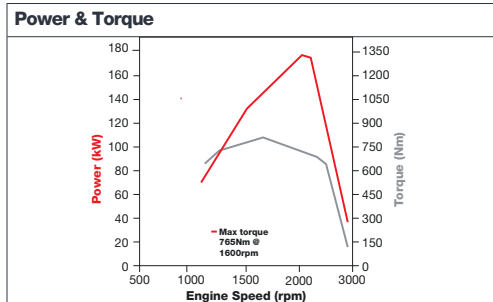
EURO VI-D

POWER & TORQUE

Engine	
Make & model:	4HK1E6H-D – Isuzu turbo intercooled OHC 4 cylinder diesel with DPD & SCR.
Bore x stroke:	115 x 125mm
Capacity:	Max Power:
	
	at 2600rpm

Transmission	
Make & model:	Isuzu 6-speed manual MZW6P gearbox.
Ratios:	1st - 6.615; 2nd - 4.095; 3rd - 2.358; 4th - 1.531 5th - 1.000; 6th - 0.722; Reverse - 6.615
Rear Axle Ratio:	4.555:1 (with diff lock)

Clutch	
Type:	355mm air assist/hydraulic



Electrical	
Type:	2x12V, 800CCA, 110Ah batteries (24V) with 90A alternator.



Tyres/Wheels	
Tyres:	235/75 R17.5 radial.
Wheels:	6.75J x 17.5, 6-stud.
Spare:	1 x wheel and tyre.

Frame	
Type:	Parallel ladder type channel section straight side rails, riveted upper flange.

Axles	
Front:	Reverse Elliott I-Beam.
Rear:	Banjo fully floating, with diff lock.

Suspension	
Front:	Multi Taper-leaf steel springs with hydraulic shock absorbers and anti roll bar.
Rear:	Multi Taper-leaf steel springs with helper.

Brakes	
System:	Air over hydraulic dual circuit with ABS, EVSC (electronic vehicle stability control), ASR (anti slip regulation). Exhaust brake. Air dryer.
Front:	320mm x 120mm drum with auto adjust.
Rear:	320mm x 145mm drum with auto adjust.
Park:	Rear wheel spring brake.

Fuel Tank	
Capacity:	
AdBlue®:	

CAB FEATURES

Cab Exterior	
Type:	Hexapod, white all-steel with roof outline markers.
Features:	Manual tilt to 45 deg. Tinted windscreen. Chrome radiator grille. Plastic resin non-slip entry steps. 90 deg. opening doors. Zinc galvanised frame structure. Steel reinforced composite front bumper with fog and daytime running lamps. Two halogen head lamps with indicators. Front mudguards with spray suppression. Aluminium rear under run.

Cab Interior	
Features:	Flame-resistant interior trim. Vinyl floor matting. Dual long grab handles each side. Interior fluorescent lighting. Driver and passenger SRS airbags.
Storage space:	Centre seat back compartment, twin overhead lockers, centre tray, door and dashboard pockets.

Seats (all cloth)	
Features:	Driver's fully adjustable Isringhausen® air-suspended seat with head restraint and 3-point seat belt with pretensioner. Rigid centre seat with 2-point seatbelt. Rigid passenger seat with head restraint and 3-point seat belt pretensioner.

Vision	
Features:	Large door mounted heated adjustable mirrors. Front underview mirror and kerb mirror. Driver and passenger sun visors. Deep cut side windows to reduce blind spots. Electric windows with driver control and lock.

Steering	
Features:	Recirculating ball type with full integral hydraulic power assistance. Tilt and telescopic steering column.

Instruments	
Features:	Speedometer with odometer and trip. Rev counter. Multi-information display provides information on servicing, emissions and fuel economy. Fuel gauge. Coolant temperature gauge. Air pressure gauge. Digital Tachograph.

Switches & Electrical	
Features:	Combination stalk incorporating headlamps, indicators, fog lamps, washers and wipers, and exhaust brake. Engine idle control. Headlamp levelling. Engine quick warm up. Cigarette lighter. Reverse warning. DPD. EVSC, ASR and LDWS control. Electronic vehicle speed limiter set at 56 mph (90 kph). Hazard warning lights. Kenwood DAB radio with Bluetooth (Sat Nav option available). Steering wheel mounted cruise control and horn.

Warning/Indicator Lamps	
Features:	Battery charge. Oil pressure. Low fuel. Glow plug operation. High beam and indicators. Park brake warning. Fuel/water separator. Check engine. DPD operation. Engine overheat. AdBlue® level. EVSC, LDWS, ABS. Exhaust brake operation. Front and rear fog lights. Seatbelt warning. Brake fluid level. SRS air bag. Low air warning. Cab tilt warning. Diff lock warning.

Tool Kit	
Features:	Jack with a small selection of hand tools.

WARRANTY

All chassis cabs come with a 3 year unlimited mileage warranty and roadside assistance as standard. Terms and conditions apply.

Isuzu-backed Repair and Maintenance contracts available upon request.

SAFETY & SECURITY

R29 cab strength:	Complies with ECE-R29 cab strength standard.
Central locking:	Central locking with remote keyless entry and immobiliser.
Lane departure warning system:	Monocular camera monitor, alerts driver with a warning buzzer and LCD monitor.
Advanced Emergency Braking System (AEBS):	Milliwave Radar Type (View Assist Technology).

For further information please contact your local dealer or phone us direct:

01707 282930 | www.isuzutruck.co.uk

