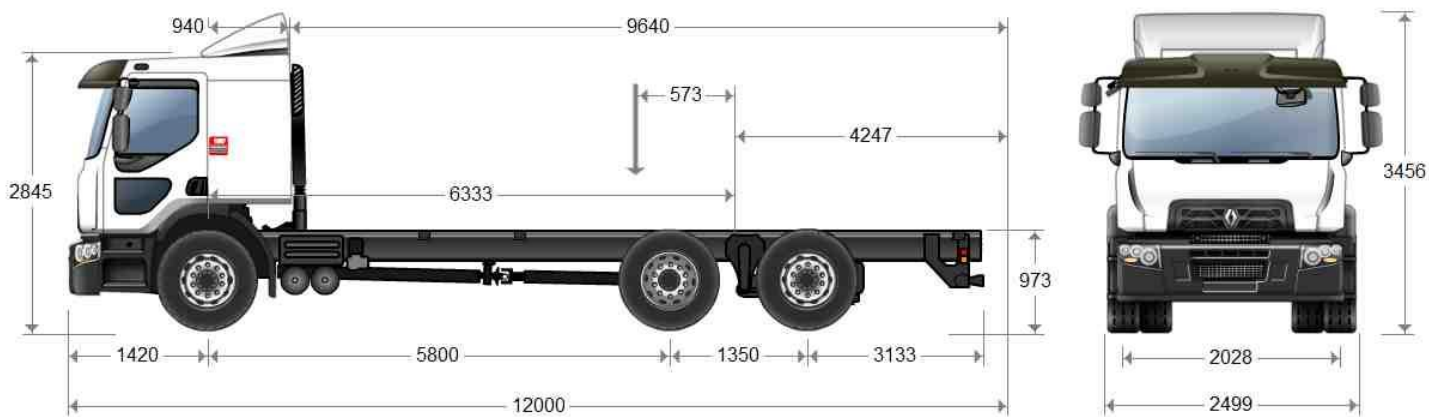


Model code : UKM_20DM086STD0F
Print date: 14/01/2020
Last updated: 14/01/2020

Prepared for :

D 26 WIDE OPTIFUEL 6X2 R 320 E6 - GVW 26T / GTW 29.5 T (D)

RENAULT TRUCKS WIDE



WEIGHTS

Wheelbase		mm	5.800
Payload	(C)	Kg	18319
Maximum Weight (registered)	Total (GVW)	Kg	26000
	Front axle(s)	Kg	8000
	Front axle 1	Kg	8000.00
	Rear axle(s)	Kg	19000
	rear axle 1	Kg	11500
	rear axle 2	Kg	7500
Min. weight complete vehicle unladen	Front axle(s)	Kg	6702.00
Kerb Weight	total	Kg	7681
	Front Axle 1	Kg	4379.00
Chassis cab kerb weight	Rear Axle 1	Kg	1999.00
	Rear Axle 2	Kg	1303.00
	Front axles (Liftable axle down)	Kg	4379
	Rear axles (Liftable axle down)	Kg	3302
	Total vehicle weight under full load at YMAX	Front axle(s)	Kg
	Rear axle(s)	Kg	18000.00
Total vehicle weight under full load at YMIN	Front axle(s)	Kg	6036.00
	Rear axle(s)	Kg	19964.00

To maintain the driving comfort (lightness of steering, braking) of vehicles in all load and driving conditions once the vehicle is bodied, the following minimum front axle load(s) must be respected: 3500 kg



This table includes the weights of the RENAULT TRUCKS options: full urea tank, oil, screen wash fluid and coolant at 100%, fuel fill level 90% and driver present (75 kg)

LENGTHS

Wheelbase		mm	5.800
Front Overhang	(H / BEP L016)	mm	1420
Wheelbase	(F / BEP L011)	mm	5800
Technical wheelbase	(F' / BEP L015)	mm	6333
Axle Spacing	Axle 2-3 (BEP L012.2)	mm	1350.00
Rear overhang	Chassis	mm	3133
Bodywork rear overhang	Min. (Xmin / BEP L017)	mm	2889
	Max. (Xmax / BEP L017)	mm	4247
Rear overhang	from end of technical wheelbase (N')	mm	3664.00
Cab entry	(B / BEP L102)	mm	940
Body length	Min. (Wmin / BEP L105)	mm	8282
	Max. (Wmax / BEP L105)	mm	9640
Load Centre of Gravity	Total	mm	0
Centre of Gravity of load	Max. (Ymax / BEP L103)	mm	1252
	Min. (Ymin / BEP L104)	mm	573
Centre of Gravity of vehicle	at X (BEP L044)	mm	2749.00
Overall Chassis Length	(A / BEP L032+L016)	mm	11703

HEIGHTS

Wheelbase		mm	5.800
Ground clearance, laden	Rear (U3 / BEP H016)	mm	213
	Front (U1 / BEP H015)	mm	198
Max. exterior height unladen	(BEP H001)	mm	3456
Max. exterior height, cab tilted, unladen	(O1 / BEP H061)	mm	3714.00
Cab height (unladen)	(O)	mm	2845
Distance from ground to lowest point at front of vehicle	Unladen (H0 / BEP H18)	mm	308.00
	Laden (H0 / BEP H18)	mm	211.00
Frame top height at front axle	Unladen (H1 / BEP H035)	mm	988.00
	Laden (H1 / BEP H036)	mm	907.00
Frame top height at drive axle	Unladen (H2 / BEP H037)	mm	973
	Laden (H2 / BEP H038)	mm	952
Frame top height at the rear of the frame	Unladen (HN)	mm	961.00
	Laden (HN)	mm	985.00
Centre of Gravity of vehicle	Unladen at Z (BEP H044)	mm	762.00
Side member height	(BEP H032)	mm	300.00

TOWING DEVICE

Wheelbase		mm	5.800
Distance between the front of the vehicle and the centre of the trailer coupling device	(BEP L045 + L016)	mm	
Distance between centre of last axle to centre of coupling device		mm	
Height of towing hook / top of side member	(BEP H045)	mm	

WIDTHS

Wheelbase		mm	5.800
Max exterior cab width with rear view mirrors open	(BEP W001)	mm	2500.00
Max. cab width	(BEP W002)	mm	2500
Frame width	Front (BEP W035)	mm	1082
	Rear (BEP W036)	mm	852
Width at rear wheels	Rear axle 1 (V3 / BEP W003.1)	mm	2499

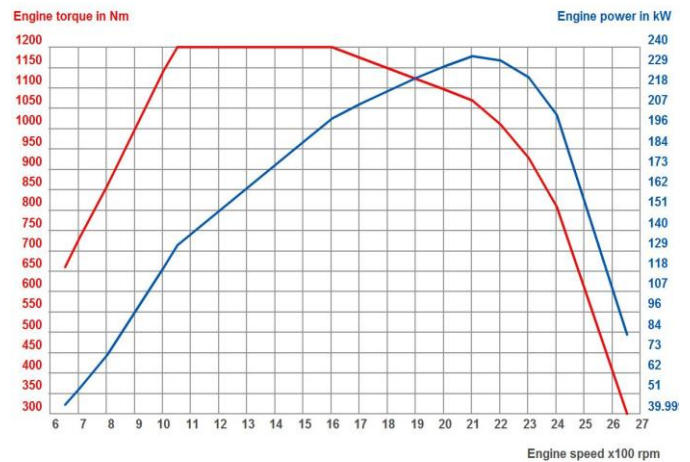
Track	Rear 1 (V2 / BEP W013.2)	mm	1837
	Front (V1 / BEP W013.1)	mm	2028

OTHER

Wheelbase		mm	5.800
Approach angle	(BEP H010)	°	11
Ramp angle	(BEP H012)	°	13.50
Departure angle	(BEP H011)	°	7.40
Side member thickness	(BEP W034)	mm	13.00
Turning Radius	Overall (BEP W012)	mm	11800.00
	kerb to kerb	mm	11056.00
	interior	mm	6474.00

DTI 8 ENGINE

Max. power: 235 kW at 2100 rpm
Max. torque: 1200 Nm from 1050 rpm to 1600 rpm
 Power output (UK): 315 hp
 6-cylinder in-line diesel engine - 4 valves per cylinder - Rear-mounted timing
 COMMON RAIL high-pressure direct fuel-injection 2000 bar
 Bore 110 mm - stroke 135 mm - Capacity 7.7 litres
 Variable geometry turbocharger
 Exhaust gas recirculation
 Direction of rotation (seen from G/B end): anti-clockwise
 Oil capacity: 27 L including filtration
 Sheet metal oil sump
 Cooling circuit capacity: 17 litres
 Antifreeze protection: -25°C.
 EEC EURO VI pollution control level
 Compact post-treatment system (7th injector, catalytic converter, DPF, SCR)
 Reduction in engine power of 25% when vehicle emissions are above the legislative levels.
 Soundproofing level complies with EEC standards (80dB)



ENGINE EQUIPMENT

Power mode inhibited after passing the 'hard spot' of the accelerator pedal
 Partial gas recycling (semi-closed circuit)
 Automatic engine cut-off (3 min)
 Without engine Power Take Off.
 Electronic speed limiter (90 km/h).

CLUTCH

Single-plate clutch, diameter 430 mm

GEARBOX

Optidriver AT 2412F gearbox (14.94 - 1) with automatic clutch. Aluminium housing.
 Max. torque 2400 Nm, 12 forwards gears and 3 reverse gears.
 Steering wheel-mounted operating mode selection (automatic/manual) via gear shift selector.
 Gearshifting strategy optimised for FUEL ECO

RETARDER

Exhaust-mounted retarder (120 kW at 2800 rpm)

POWER TAKE-OFFS

Without gearbox mounted PTO

STEERING

Right hand drive.
 Hydraulic steering box with variable step-down power assistance.
 Driving on the left

FRONT AXLE

Front load capacity (technical max.): 8 t



REAR AXLE

Liftable rear axle with single wheel fitment featuring air suspension
 Load transfer to drive axle (11.5 t + 30% if speed below 30 km/h)
 P13170-E single reduction final drive axle
 Without differential lock.
 Rear loading capacity (technical max.): 19 t
 Rear load 11.5t - 7.5t
 Drive axle ratio: 3.36
 Engine speed at 90 km/h: 1629 rpm
 Position of rear auxiliary axle: behind the drive axle

WHEELS AND TYRES

Dimension 315/70 R22.5
 Profile G. KMAX-2 S/D
 Steel disc wheels
 Front wheel trims
 Without spare wheel.

BRAKING

Service brake:

Braking system with two independent circuits
 All-disc brakes
 Electronic management of air production by APM (Air Product Management)
 Dryer cartridge optimised by preventive maintenance
 Twin-cylinder air compressor 1080 l/min, 720 cm³
Aluminium air tanks.
 Air tank mounting rubber fittings
 Without rear trailer coupling.

EBS:

Anti-lock braking system (ABS).
 Anti-slip regulation (ASR).
 Drag torque control (Torque control during downshifting).
 (Disc) brake pad wear compensation
 Retarder and service brake linking
 Differential engagement management (if equipped) at speeds <10 km/h (4x2)
 Hill Start Assist
 Braking performance warning
 ESC (Electronic Stability Control) trajectory control and anti-rollover system
 Coupling traction test
 Emergency brake assist (EBA)

Parking brake:

Air operated spring brake actuators on rear wheels
 Hand brake valve.

Brake adjustment:

Automatic brake lining slack compensation.

Emergency brake:

Ensured by independence of main device circuits

CAB

Cab exterior:

Night & Day cab
 All steel Cab, electro-zinc plated and cataphoretic paint treatment.
 Cab paint colour: White epla
 technical code: 09350
 Red badge
 Anti-spray deflectors
 Four point mechanical cab suspension.
 Hydraulic cab tilt.
 2 heated, remote control rear view mirrors.
 Rear view mirrors for bodywork up to 2.55 m wide
 Fold-back front view mirror
 Air horn
 Roof-level air intake.
 Air filter clogging indicator
 Spray suppression on front wings
Adjustable roof deflector
External sun visor
 Tinted, laminated windscreen.
 Without rear window.
Passenger side vision door with lower tinted window

Cab interior:

Upper storage cupboards, 2 storage compartments (50 L) with lids, sliding side sun screen on driver's side
 Three sun blinds on windscreen
CB pre-equipment.
 DTCO 4.0 digital chronotachograph
Manually operated roof hatch.
Air-suspended COMFORT driver's seat, with fitted seat belt, lumbar support, heated cushion and seatback, seat depth adjustment
 Driver's armrest
 Red seat belts
Air-suspended passenger seat with seatbelt.
Lower bunk
 Blower socket on central console
Raised engine tunnel.
 Cab lighting time-delay.
Curtains around cab.
 2 Coat hooks on rear panel
 Electrically operated door windows
Cab independent night heater air/air (2 kW)
Air conditioning
 Handbook and Service pack in English.
Smartphone mounting plate

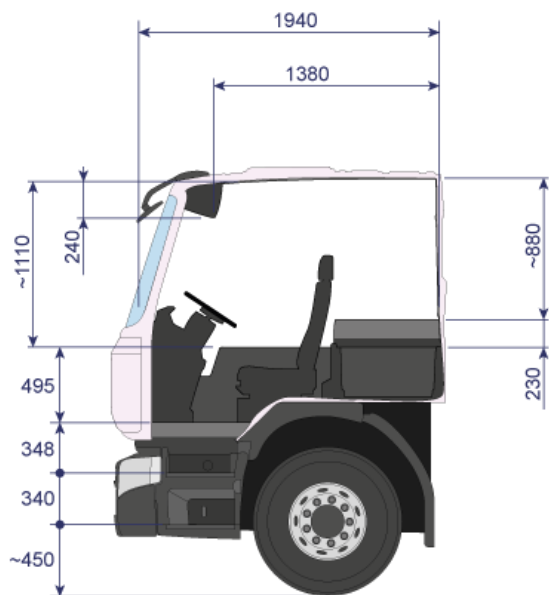
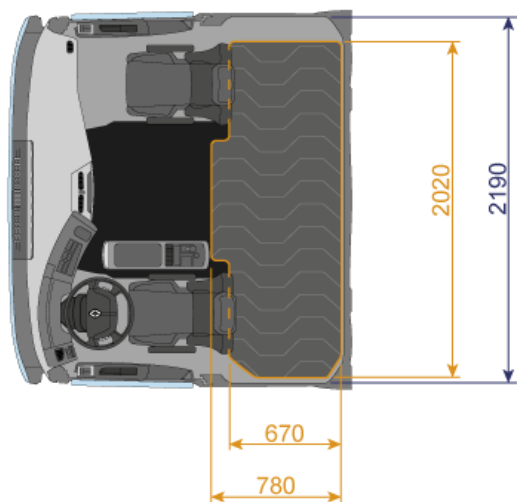
Steering wheel equipment:

4-spoke leather steering wheel adjustable for height and depth, with control for cruise control
 OPTIDRIVER control
Analogue and digital DAB and DAB+ radio with digital antenna
audio playback via USB and streaming via Bluetooth 4.0 with hands-free function and steering wheel-mounted controls



Instrument panel:

Speedometer in miles
12V socket on dashboard, for accessories.
Starting inhibitor controlled by transponder key.
Folding key.
Remote control central door locking.
Speed limiter adjustable via steering wheel control (ASL)
Cruise Control with Optiroll with steering wheel-mounted controls



ELECTRONIC EQUIPMENT:

FMS Gateway fleet management interface

Telematics provision including the TGW (Telematics GateWay): including antenna and subscription to Optifleet Map, Check and Drive services
Lane Departure Warning System (LDWS)
Advanced emergency braking system (AEBS)
English and French language display
Additional language (German)

ELECTRICAL EQUIPMENT

Battery capacity: 185 Ah
Batteries with level check
Battery isolation switch
Alternator : 110 amp capacity.
Rear signalling lighting.

CHASSIS

Chassis protective paintwork, mineral grey colour
technical code: 03650
Chassis reinforcement at rear drive axle
Standard rear overhang, pre-drilled for bodybuilder
Removable front towing cap.
Front under-run protection.
Rear under-run bar.
Closing cross member with pre-drilling for towing yoke
Wings fitted in standard position.
Side exhaust.

BUMPER - STEPS AND LIGHTING

3-part plastic bumper
Access to driving position by 2 stepwell steps.
Step lighting.
Electrical headlamp levelling control.
Running lights

SUSPENSION

Front suspension

Front parabolic leaf springs.
Stabiliser bar

Rear suspension:

Air suspension
Suspension remote control (2 channels).

FUEL TANK

Main aluminium tank
Main fuel tank: 315 litres capacity D560 profile mounted on right

AdBlue

32-litre AdBlue tank



STANDARD EQUIPMENT

Reversing warning buzzer, including night switch.

Windscreen washer bottle capacity: 12L

BODYWORK

Body mounting brackets front and rear.

Bodybuilder access through bulkhead

Predisposition for 24 volts socket

Orange LED side marker lights with reflector

Bodybuilder BBM electronic box interface bodybuilder expert functions via CAN bus).

Electrical pre-arrangement for tail lift

GEARBOX RATIOS

1	2	3	4	5	6	7	8	9	10	11	12
14.94	11.73	9.04	7.09	5.54	4.35	3.44	2.70	2.08	1.63	1.27	1.00

The manufacturer reserves the right to modify the specifications above without prior notice.

Non contractual document.

For further assistance please contact Product Applications at Renault Trucks UK Limited, Wedgnock Lane , Warwick , CV34 5YA Telephone +44 (0)1926 475333.

SERVICE

Optifleet:

Pre-equipment for monthly Optifleet Check: technical data reports for fuel consumption monitoring by vehicle and by driver, activation of service on request subject to monthly subscription

Pre-equipment for monthly Optifleet Map: vehicle geolocation, geofencing and route analysis. Activation of service on request subject to monthly subscription

