

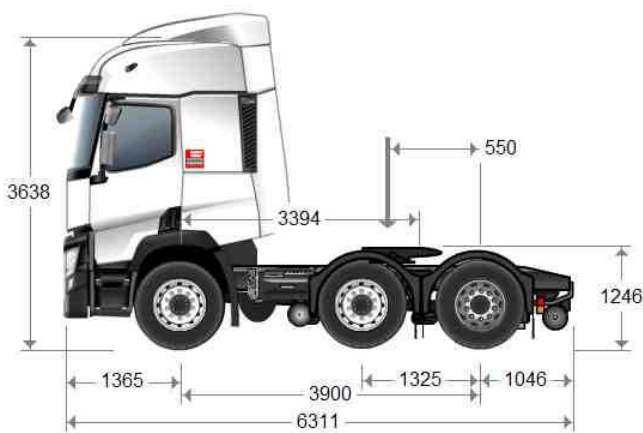
Model code : UKM\_11MC036UK136  
Print date: 11/01/2020  
Last updated: 11/01/2020

Prepared for :

## T 480 T6X2 PUSHER TML E6 - GVW 23.4 T / GTW 44 T

### RENAULT TRUCKS

#### T 480



### WEIGHTS

Wheelbase		mm	3.900
Maximum Weight (registered)	Total (GVW)	Kg	23400
Payload	(C)	Kg	15198
Maximum Weight (registered)	Front axle 1	Kg	7100.00
	rear axle 1	Kg	7100
	rear axle 2	Kg	11500
Min. weight complete vehicle unladen Kerb Weight	Front axle(s)	Kg	7133.00
	total	Kg	8202
Chassis cab kerb weight	Front Axle 1	Kg	5168.00
	Rear Axle 1	Kg	1158.00
	Rear Axle 2	Kg	1876.00
	Front axles (Liftable axle down)	Kg	5168
	Rear axles (Liftable axle down)	Kg	3034
	Front axles (Liftable axle up)	Kg	5486.00
Total vehicle weight under full load at YMIN	Rear axles (Liftable axle up)	Kg	2641.00
	Front axle(s)	Kg	
Total vehicle weight under full load at YMAX	Rear axle(s)	Kg	
	Front axle(s)	Kg	
	Rear axle(s)	Kg	

To maintain the driving comfort (lightness of steering, braking) of vehicles in all load and driving conditions once the vehicle is bodied, the following minimum axle load(s) must be respected: A value corresponding to 26% of the weight of the unladen bodied vehicle kerb weight (with driver, without passenger)



This table includes the weights of the RENAULT TRUCKS options: full urea tank, oil, screen wash fluid and coolant at 100%, fuel fill level 90% and driver present (75 kg)

**LENGTHS**

Wheelbase		mm	3.900
Front Overhang	(H / BEP L016)	mm	1365
Wheelbase	(F / BEP L011)	mm	3900
Axle Spacing	Axle 2-3 (BEP L012.2)	mm	1325.00
Rear overhang	Chassis	mm	1046
Centre of Gravity of vehicle	at X (BEP L044)	mm	1267.00
Technical wheelbase	(F' / BEP L015)	mm	3394
Overall Chassis Length	(A / BEP L032+L016)	mm	6311

**HEIGHTS**

Wheelbase		mm	3.900
Ground clearance, laden	Front (U1 / BEP H015)	mm	233
	Rear (U3 / BEP H016)	mm	215
Max. exterior height unladen	(BEP H001)	mm	3923
Max. exterior height, cab tilted, unladen	(O1 / BEP H061)	mm	4386.00
Cab height (unladen)	(O)	mm	3638
Distance from ground to lowest point at front of vehicle	Unladen (H0 / BEP H18)	mm	354.00
	Laden (H0 / BEP H18)	mm	290.00
Frame top height at front axle	Unladen (H1 / BEP H035)	mm	994.00
	Laden (H1 / BEP H036)	mm	941.00
Frame top height at drive axle	Unladen (H2 / BEP H037)	mm	973
	Laden (H2 / BEP H038)	mm	952
Frame top height at the rear of the frame	Unladen (HN)	mm	967.00
	Laden (HN)	mm	954.00
Centre of Gravity of vehicle	Unladen at Z (BEP H044)	mm	897.00
Side member height	(BEP H032)	mm	300.00

**TOWING DEVICE**

Wheelbase		mm	3.900
Distance between the front of the vehicle and the centre of the trailer coupling device	(BEP L073 + L016)	mm	4715.00
Distance between centre of last axle to centre of coupling device		mm	
Fifth wheel height, from top of side member	(BEP H074 + H071)	mm	270.00
Fifth wheel height from ground	Unladen (BEP H076)	mm	1246
	Laden (BEP H078)	mm	1220
Swept Swing Clearance	(BEP L078)	mm	
Fifth wheel position	Max. (Ymax / BEP L075)	mm	1100
Gross Vehicle Weight	at YMAX	Kg	23400.00
Gross Vehicle Weight, load on front axle(s)	at YMAX	Kg	7100.00
Gross Vehicle Weight, load on rear axle(s)	at YMAX	Kg	16300.00
King Pin Load	at YMAX	Kg	15198.00
King Pin Load on Front Axle(s)	at YMAX	Kg	1932.00
King Pin Load on RearAxle(s)	at YMAX	Kg	13266.00
Fifth wheel position	Min. (Ymin / BEP L077)	mm	550
Gross Vehicle Weight	at YMIN	Kg	23400.00
Gross Vehicle Weight, load on front axle(s)	at YMIN	Kg	4800.00
Gross Vehicle Weight, load on rear axle(s)	at YMIN	Kg	18600.00
King Pin Load	at YMIN	Kg	15198.00
King Pin Load on Front Axle(s)	at YMIN	Kg	-368.00
King Pin Load on RearAxle(s)	at YMIN	Kg	15566.00

Fifth wheel position	Manufacturer's recommendation (Y / BEP L076)	mm	550
Gross Vehicle Weight	in fifth wheel position recommended by manufacturer	Kg	20125.00
Gross Vehicle Weight, load on front axle(s)	in fifth wheel position recommended by manufacturer	Kg	7100.00
Gross Vehicle Weight, load on rear axle(s)	in fifth wheel position recommended by manufacturer	Kg	13025.00
King Pin Load	in fifth wheel position recommended by manufacturer	Kg	11923.00
King Pin Load on Front Axle(s)	in fifth wheel position recommended by manufacturer	Kg	1932.00
King Pin Load on RearAxle(s)	in fifth wheel position recommended by manufacturer	Kg	9991.00
Fifth wheel position	Intermediate 1	mm	500.00
Gross Vehicle Weight	in intermediate fifth wheel position 1	Kg	21317.00
Gross Vehicle Weight, load on front axle(s)	in intermediate fifth wheel position 1	Kg	7100.00
Gross Vehicle Weight, load on rear axle(s)	in intermediate fifth wheel position 1	Kg	14217.00
King Pin Load	in intermediate fifth wheel position 1	Kg	13115.00
King Pin Load on Front Axle(s)	in intermediate fifth wheel position 1	Kg	1932.00
King Pin Load on RearAxle(s)	in intermediate fifth wheel position 1	Kg	11183.00
Fifth wheel position	Intermediate 2	mm	450.00
Gross Vehicle Weight	in intermediate fifth wheel position 2	Kg	22775.00
Gross Vehicle Weight, load on front axle(s)	in intermediate fifth wheel position 2	Kg	7100.00
Gross Vehicle Weight, load on rear axle(s)	in intermediate fifth wheel position 2	Kg	15675.00
King Pin Load	in intermediate fifth wheel position 2	Kg	14573.00
King Pin Load on Front Axle(s)	in intermediate fifth wheel position 2	Kg	1932.00
King Pin Load on RearAxle(s)	in intermediate fifth wheel position 2	Kg	12641.00
Sliding fifth wheel	front fork	mm	4.71
	rear yoke	mm	4.22

## WIDTHS

Wheelbase		mm	3.900
Max exterior cab width with rear view mirrors open	(BEP W001)	mm	2534.00
Max. cab width	(BEP W002)	mm	2534
Frame width	Front (BEP W035)	mm	1080
	Rear (BEP W036)	mm	850
Width at rear wheels	Rear axle 1 (V3 / BEP W003.1)	mm	2350
	Rear axle 2 (V5 / BEP W003.3)	mm	2518.00
Track	Front (V1 / BEP W013.1)	mm	2043
	Rear 1 (V2 / BEP W013.2)	mm	2038
	Rear 2 (V4 / BEP W013.2)	mm	1854.00

## OTHER

Wheelbase		mm	3.900
Approach angle	(BEP H010)	°	14
Ramp angle	(BEP H012)	°	20.90
Departure angle	(BEP H011)	°	17.80
Side member thickness	(BEP W034)	mm	7.00
Turning Radius	Overall (BEP W012)	mm	6900.00
	kerb to kerb	mm	6206.00
	interior	mm	2758.00

## DTI 13 ENGINE

**Max. power: 353 kW from 1404 to 1800 rpm**

**Max. torque: 2400 Nm from 950 rpm to 1404 rpm**

Power output (UK): 473 hp

6-cylinder in-line diesel engine - Common rail high-pressure fuel-injection (2000 bar) - 24 valves - overhead camshaft, rear-mounted timing

High pressure provided by three pumps on injector bodies.

Bore 131 mm - stroke 158 mm - Capacity 12.8 L

Electronically-controlled fan

Turbocharger

Direction of rotation (seen from gearbox end): anti-clockwise

EEC EURO VI pollution control level

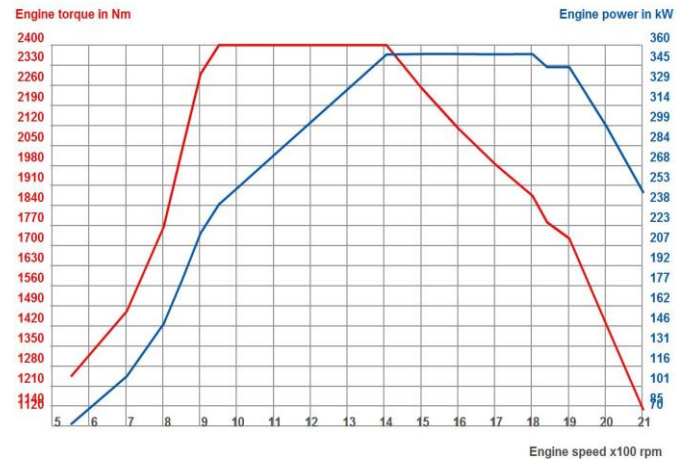
Compact after-treatment system (catalytic converter, DPF, SCR)

Reduction in engine power of 25% when vehicle emissions are above the legislative levels.

Automatic regeneration of particulate filter

Soundproofing level complies with EEC standards (80dB)





## ENGINE EQUIPMENT

*Power mode inhibited after passing the 'hard spot' of the accelerator pedal*

Partial gas recycling (semi-closed circuit)

*Automatic engine cut-off (5 min)*

Without engine Power Take Off.

Electronic speed limiter (90 km/h).

## CLUTCH

Single-plate clutch, diameter 430 mm

## GEARBOX

Optidriver AT 2612F gearbox (14.94 - 1) with automatic clutch. Aluminium housing.

Max. torque 2550 Nm, 12 forwards gears and 3 reverse gears.

Steering wheel-mounted operating mode selection (automatic/manual) via gear shift selector.

*Gearshifting strategy optimised for FUEL ECO*

Gearbox rear intermediate housing in aluminium

## RETARDER

OPTIBRAKE+ (power rating 382 kW at 2300 rpm): combination of the exhaust brake and valve compression braking, coupled to service brake

## POWER TAKE-OFFS

Without gearbox mounted PTO

## STEERING

Right hand drive.

*Hydraulic power steering, variable flow pump*

Steering ratio 20:1 - Steering wheel diameter 460 mm

Driving on the left

## FRONT AXLE

Axle with zero-maintenance steering knuckles

Load capacity (technical max.) Front axle: 7.1 t.

## REAR AXLE

Liftable rear axle

Load transfer to drive axle (10.5 t + 30% if speed below 30 km/h)

P13170-E single reduction final drive axle

Integral differential lock

Rear loading capacity (technical max.): 19 t

Rear load 7.1t - 11.5t

*Drive axle ratio: 2.64*

Engine speed at 90 km/h: 1280 rpm

Rear axle position : in front of engine drive axle

## WHEELS AND TYRES

Dimension 315/70 R22.5

*C. HYBRID HS3 XL / HD3 profile*

*Alcoa Dura-Bright aluminium wheels.*

*Chrome wheel nut protectors with chrome wheel nut caps*

Without spare wheel.

## BRAKING

### Service brake:

Braking system with two independent circuits.

Ventilated disc brakes.

Electronic management of air production by EACU (Electronic Air Control Unit):

Dryer cartridge optimised by preventive maintenance.

Twin-cylinder air compressor 900 l/min, 636 cm<sup>3</sup>

*Disengageable air compressor*

*Aluminium air tanks.*

Brake hose couplers, UK standard



Electrical lead with one 15-pin connector to two 7-pin connectors (24N, 24S)  
Upward orientation of air hoses  
Dummy sockets for electrical cables on DFR  
Trailer brake device at cab rear

**EBS:**

Anti-lock braking system (ABS).  
Anti-slip regulation (ASR).  
Brake balancing between tractor unit and trailer.  
(Disc) brake pad wear compensation  
Retarder and service brake linking  
Differential engagement management (if equipped) at speeds <10 km/h (4x2)  
Hill Start Assist  
Braking performance warning  
ESC (Electronic Stability Control) trajectory control and anti-rollover system  
Coupling traction test  
Emergency brake assist (EBA)

**Parking brake:**

EPB (Electronic Parking Brake) automatic parking brake, immobilization provided by spring cylinders

**Brake adjustment:**

Automatic brake lining slack compensation.

**Emergency brake:**

Ensured by independence of main device circuits

**CAB****Cab exterior:**

Sleeper Cab  
All steel Cab, electro-zinc plated and cathophoretic paint treatment.  
Cab paint colour: White ekla  
technical code: 09350  
Red badge  
Dark grey front face finish  
Aerodynamic dirt deflectors on the headlamps  
*4-point cab air suspension with ride-height control system*  
Two side doors of which one is accessible from inside the cab  
2 heated, remote control rear view mirrors.  
2 wide angle rearview mirrors.  
Kerb view mirror.  
Rear view mirrors for bodywork up to 2.55 m wide  
Fold-back front view mirror  
Rearview mirrors silver finish  
Air horn  
Spray suppression on front wings  
*Adjustable roof deflector*  
*Side deflectors (left-hand opening panel)*  
Door extensions  
Cab accessories: cab colour  
*External sun visor.*  
Tinted, laminated windscreen.  
Without rear window.

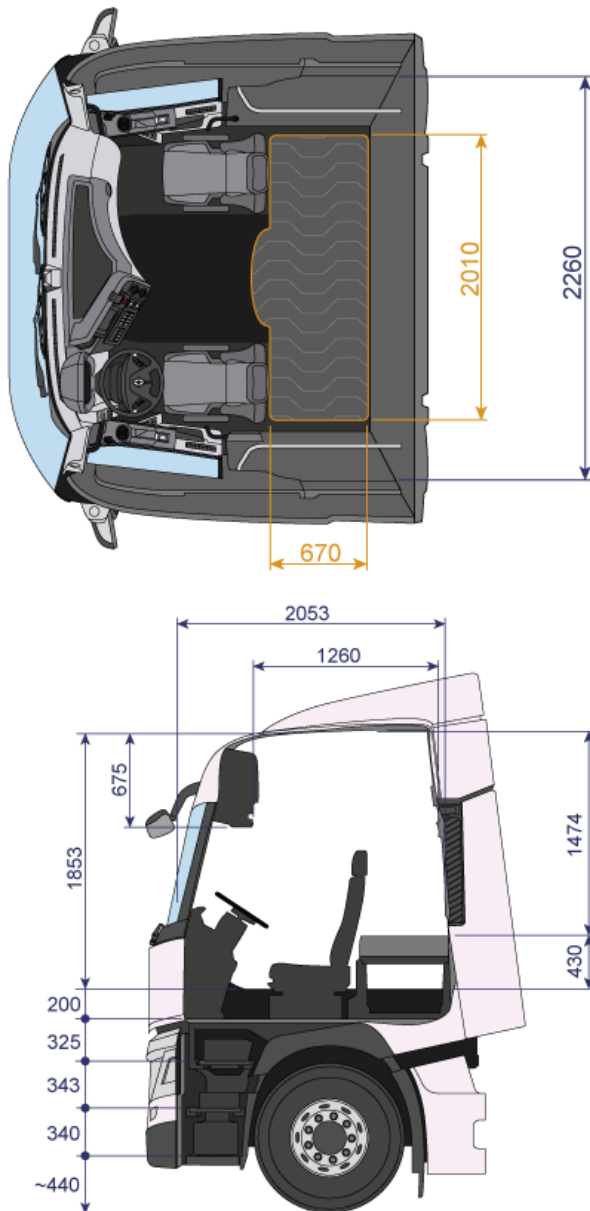
**Cab interior:**

Ultimate Alu finish  
Performance roof console, 4 storage compartments with doors including 1 with key lock, 1 storage space with net, 4 ISO modules  
*Electric interior sun blind on windscreen, manual blinds on driver and passenger side windows*  
*- 7" colour multimedia touchscreen*  
*Pre-equipment for cameras*  
CB pre-equipment.  
DTCO 4.0 digital chronotachograph  
Offset 24 V socket  
Electrically operated roof hatch.  
Mosquito net on air vent  
Interior roof grab handle  
Rubber insulating floor mats  
*Air-suspended driver's seat with integral seat belt, adjustable lumbar support, adjustable seat cushion extension, heated seat (3 positions)*  
*Two driver's armrests*  
Safety belt warning.  
*Air-suspended passenger seat with seatbelt.*  
*Passenger armrest*  
*Cloth seat trim.*  
Performance lower bunk  
*Drawer under bunk with document holder*  
Reading lamps on overhead ledge  
Direct cab lighting  
Red night lighting  
Cab lighting time-delay.  
*Curtains around cab. Curtain separating driving position from rest area.*  
Bunk area lighting  
Bunk area remote control  
12 and 24 V sockets on bunk  
Provision for 50A max. electrical power supply  
*24L refrigerator in central storage under bench, quiet with thermostat and vehicle battery management*  
2 storage boxes under bunk, one accessible from interior and exterior  
Two coat hooks on rear panel and one on passenger side  
*One-touch electric windows*  
Cab independent night heater air/air (2 kW)  
*Electronically regulated comfort air conditioning with compressor optimisation*  
Cab air filtration  
Handbook and Service pack in English.  
*4 loudspeakers and 2 tweeters*

**Steering wheel equipment:**  
*Ultimate leather steering wheel*  
OPTIDRIVER control  
OPTIBRAKE and retarder control on right-hand side  
*Easy Access steering column adjustable in 3 directions*  
Removable writing board on steering wheel  
**ROADPAD+:**  
*- HGV-specific TOM TOM navigation system*  
*- FM and DAB+ radio*  
*- USB port and jack socket*  
*- dual Bluetooth connection*

### Instrument panel:

7" HD colour information display  
Speedometer in miles  
12 V + 24 V socket on dashboard, for accessories.  
Starting inhibitor controlled by transponder key.  
Remote control central door locking with folding key  
*Two additional ignition keys*  
*ECO Cruise control with Optiroll*



### ELECTRONIC EQUIPMENT:

SAE cab socket for vehicle data extraction (Optifuel Infomax).  
*FMS Gateway fleet management interface 3.0*

Telematics provision including the TGW (Telematics GateWay): including antenna and subscription to Optifleet Map, Check and Drive services  
Assistance button for geolocation via the 24/7 platform  
Lane Departure Warning System (LDWS)  
*Electrical pre-arrangement for safety system (LDWS: lane departure warning system, alcolock, cameras)*  
Advanced emergency braking system (AEBS)  
English and French language display  
Additional language (Spanish)

### ELECTRICAL EQUIPMENT

Batteries located in the rear overhang  
Battery capacity: 225 Ah  
Maintenance-free batteries  
Battery cut-out remote control  
Electrical circuit automatically goes to standby  
Battery charge indicator  
*Alternator : 150 amp capacity.*  
*LED rear signalling and lighting (EEC standard e2 10113)*

### CHASSIS

Chassis protective paintwork, mineral grey colour  
technical code: 03650  
Removable front towing cap.  
Front under-run protection.  
Transmission crossmember Reinforced  
Closing cross member with pre-drilling for towing yoke  
Manual sliding medium fifth wheel mounting H=50 mm  
Sheet metal Fontaine SP150 (sheet metal) 2" fifth wheel, D 150 kN  
Fifth wheel position: Y = 550 mm  
*Extended rear platform.*  
Rear wings with anti-spray  
Wings fitted in standard position.  
Side exhaust.

### BUMPER - STEPS AND LIGHTING

3-part plastic bumper  
Retractable windscreen access step in radiator grille  
Access to driving position by 3 steps  
Step lighting.  
*Automatic windscreen wiping with rain sensor and automatic illumination of lights*  
Electrical headlamp levelling control.  
LED day running lights  
Provision for lighting rail on front end  
White LED work light (850 lm)  
Front fog lights.  
Black fog lamp trims  
Halogen headlights  
Roof beacon pre-equipment

### SUSPENSION

### Front suspension

2-leaf front leaf springs  
Stabiliser bar

### Rear suspension:

Air suspension  
Suspension remote control (2 channels).

### FUEL TANK

Main aluminium tank  
Main fuel tank: 480 litres capacity D710 profile mounted on left & with access steps  
Sedimenter and prefilter (R60). Bleed control on dashboard.

### AdBlue

64-litre AdBlue tank (D710)  
Urea tank on the right

### GEARBOX RATIOS

1	2	3	4	5	6	7	8	9	10	11	12
14.94	11.73	9.04	7.09	5.54	4.35	3.44	2.70	2.08	1.63	1.27	1.00

*The manufacturer reserves the right to modify the specifications above without prior notice.*

*Non contractual document.*

*For further assistance please contact Product Applications at Renault Trucks UK Limited, Wedgnock Lane , Warwick , CV34 5YA Telephone +44 (0)1926 475333.*

### STANDARD EQUIPMENT

Tool kit.  
*Reversing warning buzzer, including night switch.*  
Windscreen washer bottle capacity: 12L

### BODYWORK

*Bodybuilder access through bulkhead*  
Orange LED side marker lights with reflector  
Interface for bodybuilder connections and BBM module (Body Builder Module)

### SERVICE

#### Optifleet:

Optifleet Check: technical data reports for fuel consumption monitoring by vehicle and by driver, 2-year prepaid subscription

