

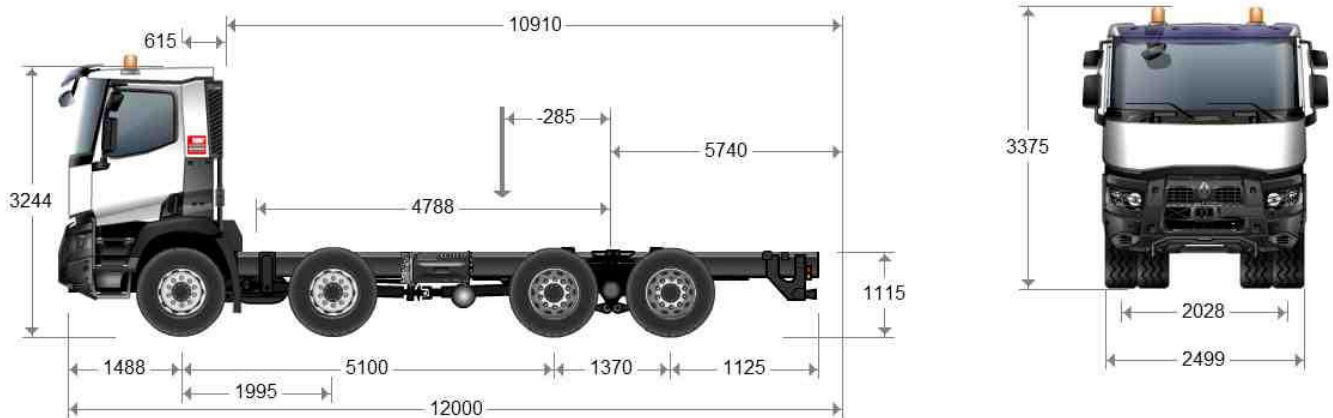
Model code : UKM\_30CS016K0001  
Print date: 27/02/2020  
Last updated: 27/02/2020

Prepared for :

## C 430.32 8X4 RK E6 - GVW 32T / GTW 35.5 T

### RENAULT TRUCKS

#### C 430



### WEIGHTS

Wheelbase		mm	5.100
Payload	(C)	Kg	21819
Maximum Weight (registered)	Total (GVW)	Kg	32000
	Front axle(s)	Kg	16000
	Front axle 1	Kg	8000.00
	Front axle 2	Kg	8000.00
	Rear axle(s)	Kg	19000
	rear axle 1	Kg	9500
Min. weight complete vehicle unladen	Front axle(s)	Kg	8186.00
Kerb Weight	total	Kg	10181
Chassis cab kerb weight	Front Axle 1	Kg	3686.00
	Front Axle 2	Kg	3686.00
	Rear Axle 1	Kg	1404.00
	Rear Axle 2	Kg	1404.00
	Front axles (Liftable axle down)	Kg	7373
	Rear axles (Liftable axle down)	Kg	2808
Total vehicle weight under full load at YMAX	Front axle(s)	Kg	13251.00
	Rear axle(s)	Kg	18749.00
Total vehicle weight under full load at YMIN	Front axle(s)	Kg	6074.00
	Rear axle(s)	Kg	25926.00

*This table includes the weights of the RENAULT TRUCKS options: full urea tank, oil, screen wash fluid and coolant at 100%, fuel fill level 90% and driver present (75 kg)*

*To maintain the driving comfort (lightness of steering, braking) of vehicles in all load and driving conditions once the vehicle is bodied, the following minimum axle load(s) must be respected: A value corresponding to 43% of the weight of the unladen bodied vehicle kerb weight (with driver, without passenger)*

## LENGTHS

Wheelbase		mm	5.100
Front Overhang	(H / BEP L016)	mm	1488
Wheelbase	(F / BEP L011)	mm	5100
Technical wheelbase	(F' / BEP L015)	mm	4788
Axle Spacing	Axle 1-2 (BEP L012.1)	mm	1995.00
	Axle 2-3 (BEP L012.2)	mm	3105.00
	Axle 3-4 (BEP L012.3)	mm	1370.00
Rear overhang	Chassis	mm	1125
Bodywork rear overhang	Min. (Xmin / BEP L017)	mm	2590
	Max. (Xmax / BEP L017)	mm	5740
Rear overhang	from end of technical wheelbase (N')	mm	1810.00
Cab entry	(B / BEP L102)	mm	615
Body length	Min. (Wmin / BEP L105)	mm	7760
	Max. (Wmax / BEP L105)	mm	10910
Load Centre of Gravity	Total	mm	0
Centre of Gravity of load	Max. (Ymax / BEP L103)	mm	1290
	Min. (Ymin / BEP L104)	mm	-285
Centre of Gravity of vehicle	at X (BEP L044)	mm	2328.00
Overall Chassis Length	(A / BEP L032+L016)	mm	9083

## HEIGHTS

Wheelbase		mm	5.100
Ground clearance, laden	Rear (U3 / BEP H016)	mm	255
	Front (U1 / BEP H015)	mm	293
Max. exterior height unladen	(BEP H001)	mm	3375
Max. exterior height, cab tilted, unladen	(O1 / BEP H061)	mm	3898.00
Cab height (unladen)	(O)	mm	3244
Distance from ground to lowest point at front of vehicle	Unladen (H0 / BEP H18)	mm	
	Laden (H0 / BEP H18)	mm	350.00
Frame top height at front axle	Unladen (H1 / BEP H035)	mm	1119.00
	Laden (H1 / BEP H036)	mm	1020.00
Frame top height at drive axle	Unladen (H2 / BEP H037)	mm	1115
	Laden (H2 / BEP H038)	mm	1061
Frame top height at the rear of the frame	Unladen (HN)	mm	1113.00
	Laden (HN)	mm	1082.00
Centre of Gravity of vehicle	Unladen at Z (BEP H044)	mm	831.00
Side member height	(BEP H032)	mm	300.00

## TOWING DEVICE

Wheelbase		mm	5.100
Distance between the front of the vehicle and the centre of the trailer coupling device	(BEP L045 + L016)	mm	
Distance between centre of last axle to centre of coupling device		mm	
Height of towing hook / top of side member	(BEP H045)	mm	

## WIDTHS

Wheelbase		mm	5.100
Max exterior cab width with rear view mirrors open	(BEP W001)	mm	2499.00



Max. cab width	(BEP W002)	mm	2492
Frame width	Front (BEP W035)	mm	1080
	Rear (BEP W036)	mm	852
Width at rear wheels	Rear axle 1 (V3 / BEP W003.2)	mm	2499
Track	Rear 1 (V2 / BEP W013.2)	mm	2028
	Front (V1 / BEP W013.1)	mm	2028

**OTHER**

<b>Wheelbase</b>		<b>mm</b>	<b>5.100</b>
Approach angle	(BEP H010)	°	23
Ramp angle	(BEP H012)	°	29.50
Departure angle	(BEP H011)	°	36.00
Side member thickness	(BEP W034)	mm	13.00
Turning Radius	Overall (BEP W012)	mm	11000.00
	kerb to kerb	mm	10306.00
	interior	mm	6628.00

**DTI 11 ENGINE**

**Max. power output: 316 kW between 1700 and 1900 rpm**

**Max. torque: 2050 Nm from 1000 rpm to 1400 rpm**

Power output (UK): 424 hp

6-cylinder in-line diesel engine - Common rail high-pressure fuel-injection (2000 bar) - 24 valves - overhead camshaft, rear-mounted timing

High pressure provided by three pumps on injector bodies

Bore 123 mm - stroke 152 mm - Capacity 10.8 L

Turbocharger

Electronically controlled fan

Direction of rotation (seen from G/B end): anti-clockwise

Sheet metal oil sump

EEC EURO VI pollution control level

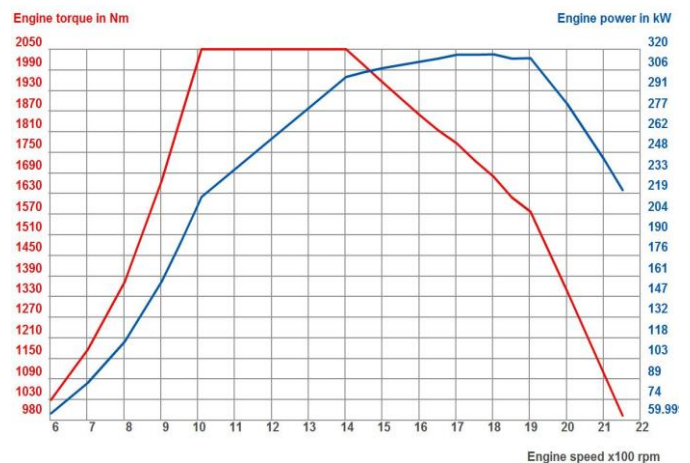
Compact after-treatment system (catalytic converter, DPF, SCR)

Liquide de refroidissement

Reduction in engine torque of 25% when vehicle emissions are above the legislative levels, step-D (EC regulation).

Automatic particulate filter regeneration with manual control

Vehicle noise level set at 82 dB(A)



**ENGINE EQUIPMENT**

Fast idling control whilst moving

Power mode is activated by passing the 'hard spot' at the end of the accelerator pedal stroke (kick down)

Partial gas recycling (semi-closed circuit)

Without engine Power Take Off.

Electronic speed limiter (90 km/h).

Single-plate clutch, diameter 430 mm

**GEARBOX**

*Optidriver AT 2612F gearbox (14.94 - 1) with automatic clutch. Aluminium housing.*

*Max. torque 2550 Nm, 12 forwards gears and 3 reverse gears.*

*Steering wheel-mounted operating mode selection (automatic/manual) via gear shift selector.*

Gearbox rear intermediate housing in aluminium

Gearbox oil cooler, oil/water heat exchanger

**RETARDER**

OPTIBRAKE (power rating 300 kW at 2300 rpm):

combination of the exhaust brake and valve compression braking, coupled to service brake

Power take-off S81

Output: splined hollow shaft (DIN 5462)

Direction of rotation: opposite to engine

Torque: 1000 Nm

Ratios: 0.71/0.90

Position: 18h



## STEERING

Right hand drive.  
Hydraulic power steering, variable flow pump  
Steering ratio 20:1 - Steering wheel diameter 460 mm  
Integral hydraulic power assisted steering (2 independent circuits and 2 pumps).  
Driving on the left

## AXLES

*Front suspension and hub joints with grease nipples*  
Load capacity (technical max.) Front axle: 16 t  
Equal load distribution on front

## REAR AXLES

*PMR 23150 single reduction*  
Integral differential lock  
*Rear loading capacity (technical max.): 23 t*  
Rear load equally distributed  
*Drive axle ratio: 3.09*  
Engine speed at 90 km/h: 1412 rpm

## WHEELS AND TYRES

Dimension 315/80 R22.5  
*Profile B. M840 EVO / L355 EVO*  
Steel disc wheels  
Steel front wheel trims  
Without spare wheel.

## BRAKING

### Service brake:

Twin-cylinder air compressor 900 l/min, 636 cm<sup>3</sup>  
Braking system with two independent circuits  
Disc brakes.  
Electronic management of air production by EACU (Electronic Air Control Unit):  
Dryer cartridge optimised by preventive maintenance.  
*Without rear trailer coupling.*  
Low-position rear brake cylinders

### EBS:

Hill Start Aid  
Wheel anti spin regulation (ASR)  
Brake pad wear balancing (discs)  
Wheel antilock braking system (ABS)  
Emergency braking assist (AFU)  
Harmonisation of tractor and trailer braking  
Brake performance warning  
Coupling of retarders and service brakes

### Parking brake:

EPB (Electronic Parking Brake) automatic parking brake, immobilization provided by spring cylinders

### Brake adjustment:

Automatic brake lining slack compensation.

### Emergency brake:

Ensured by independence of main device circuits

## CAB

### Cab exterior:

Day cab  
All steel Cab, electro-zinc plated and cataphoretic paint treatment.  
Cab paint colour: White ekla  
technical code: 09350  
Red badge  
Black front face finish  
Four point mechanical cab suspension.  
2 heated, remote control rear view mirrors.  
2 wide angle rearview mirrors.  
Kerb view mirror.  
Rear view mirrors for bodywork up to 2.55 m wide  
Fold-back front view mirror  
Air horn  
Front wing mudflaps  
Basic accessories: cab colour  
External sun visor  
Tinted, laminated windscreen.  
Tinted rear cab window

### Cab interior:

Performance finish  
Quality roof console, 1 storage compartment with key lock, 1 storage space with net and 4 ISO modules  
*Interior sun blind on windscreen and driver's side window CB pre-equipment.*  
DTCO 4.0 digital chronotachograph  
Manually operated roof hatch.  
Rubber insulating floor mats  
*Air-suspended driver's seat with integral seat belt, adjustable lumbar support, adjustable seat cushion extension, heated seat (3 positions)*  
*Two driver's armrests*  
Safety belt warning.  
*Air-suspended passenger seat with seatbelt.*  
*Passenger armrest*  
Cloth seat trim.  
*Storage on engine tunnel*  
Removable rear storage compartment, left-hand side  
Reading lamps on overhead ledge  
Direct cab lighting  
Cab lighting time-delay.  
*2 Coat hooks on rear panel*  
*Driver's window with impulse control.*  
Electronic air conditioning.  
Cab air filtration, washable filter  
Handbook and Service pack in English.  
*2 loudspeakers and 2 tweeters*

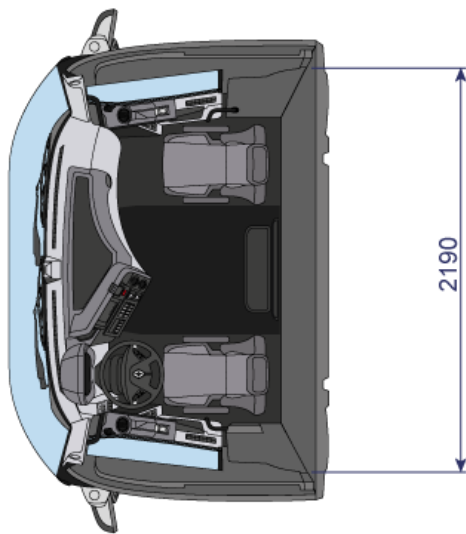
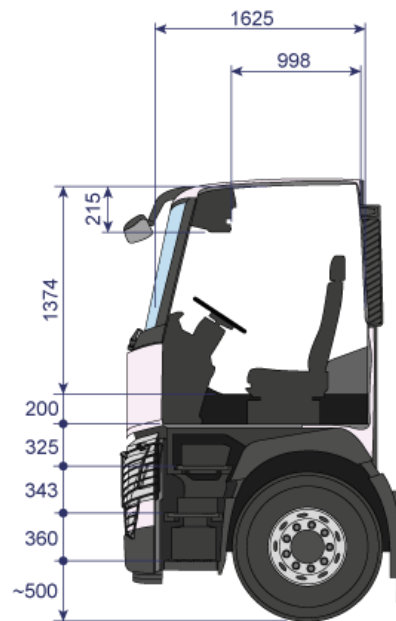
### Steering wheel equipment:



"Performance" 4-spoke steering wheel adjustable for height and depth, with control for cruise control  
 OPTIDRIVER control  
 OPTIBRAKE and retarder control on right-hand side  
*Easy Access steering column adjustable in 3 directions*  
 Removable writing board on steering wheel  
*Mono CD player, MP3/WMA format-compatible*  
*Double tuner for immediate radio station list update*  
*Steering column-mounted radio controls*  
*Jack (3.5 mm) and USB inputs for MP3 player*  
*Hands-free interface for mobile telephone (Bluetooth technology), Audio streaming, steering wheel controls, microphone in the roof console, audio playback through vehicle speakers*  
*Information on the main information display*

**Instrument panel:**

7" HD colour information display  
 Speedometer in miles  
*12 V + 24 V socket on dashboard, for accessories.*  
 Starting inhibitor controlled by transponder key.  
 Remote control central door locking with folding key  
*Two additional ignition keys*  
 Cruise control and speed limiter configurable by rotary control



**ELECTRONIC EQUIPMENT:**

English and French language display  
 Additional language (Spanish)  
 SAE cab socket for vehicle data extraction  
*FMS Gateway fleet management interface 3.0*  
 Assistance button for geolocation via the 24/7 platform  
 4G TGW telematics unit (telematic gateway) including an antenna and enabling subscription to Optifleet services (Map, Check, Drive)

**ELECTRICAL EQUIPMENT**

Battery capacity: 225 Ah  
 Batteries with level check  
 Battery cut-out remote control  
 Electrical circuit automatically goes to standby  
*Alternator : 150 amp capacity.*  
*LED rear signalling and lighting (EEC standard e2 10113)*

**CHASSIS**

Chassis protective paintwork, mineral grey colour  
 technical code: 03650  
*Chassis reinforcement from rear of engine to rear end of chassis*  
*Reinforced removable front towing cap*  
 Without rear under-run bar .  
 Transmission crossmember Medium  
*Closing cross member with pre-drilling for towing yoke*  
 Twin cartridge air filtration for dusty environments  
*Rear wings with mudflaps*  
*Wings fitted in standard position.*  
 Side exhaust.



## BUMPER - STEPS AND LIGHTING

*3-part steel bumper with headlight grilles*

*Retractable windscreen access steps in radiator grille and under bumper*

*Access to driving position by 3 steps. 1st step flexible and of composite material*

*Step lighting.*

Access to driving position by 3 steps

Step lighting.

Electrical headlamp levelling control.

Running lights

Provision for lighting rail on front end

Black fog lamp trims

Halogen headlights

*2 LED technology orange lights (rotating type)*

## SUSPENSION

### Front suspension

2-leaf front leaf springs

Stabiliser bar

### Rear suspension:

3-leaf parabolic rear springs

Stabiliser bar

Rear shock absorbers

## FUEL TANK

Plastic tank positioned between the 2 front axles

275-litre plastic tank positioned between the two front axles on the left  
Sedimenter and prefilter (R60). Bleed control on dashboard.

## AdBlue

Plastic tank for 57 litres of AdBlue

Urea tank on the right

## STANDARD EQUIPMENT

Tool kit.

Reversing warning buzzer, including night switch.

Windscreen washer bottle capacity: 8.8L

## BODYWORK

Body mounting brackets front and rear.

*Bodybuilder access through bulkhead*

Orange LED side marker lights with reflector

Interface for bodybuilder connections and BBM module (Body Builder Module)

*Bodybuilder electrical interface on chassis*

## SERVICE

### Optifleet:

Optifleet Check: technical data reports for fuel consumption monitoring by vehicle and by driver, 2-year prepaid subscription

## GEARBOX RATIOS

1	2	3	4	5	6	7	8	9	10	11	12
14.94	11.73	9.04	7.09	5.54	4.35	3.44	2.70	2.08	1.63	1.27	1.00

*The manufacturer reserves the right to modify the specifications above without prior notice.*

*Non contractual document.*

*For further assistance please contact Product Applications at Renault Trucks UK Limited, Wedgnock Lane, Warwick, CV34 5YA Telephone +44 (0)1926 475333.*