

PERSONALISED
SPECIFICATION
SHEET

www.renault-trucks.com

Prepared for :

References:

Model code : UKM_11MC016UK118

Creation date: 29/04/2015

Date of last update: 29/04/2015

T 460.26 6X2 TML E6

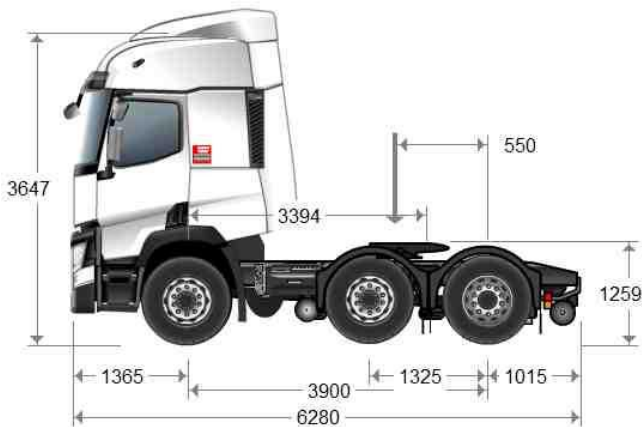
GVW 23.4T

GCW 44.00 T

RENAULT TRUCKS

T 460

COMFORT



WEIGHTS

Wheelbase		mm	3.900
Maximum Weight (registered)	Total (GVW)	Kg	23400
Payload	(C)	Kg	15062
Maximum Weight (registered)	Front axle 1	Kg	7100.00
	rear axle 1	Kg	7100
	rear axle 2	Kg	11500
Min. weight complete vehicle unladen	Front axle(s)	Kg	7162.00
	total	Kg	8413
Kerb Weight	Front Axle 1	Kg	5252.00
	Rear Axle 1	Kg	1207.00
	Rear Axle 2	Kg	1954.00

Your contact



www.renault-trucks.com



	Front axles (Liftable axle down)	Kg	5252
	Rear axles (Liftable axle down)	Kg	3161
	Front axles (Liftable axle up)	Kg	5587.00
	Rear axles (Liftable axle up)	Kg	2751.00
Total vehicle weight under full load at YMIN	Front axle(s)	Kg	
	Rear axle(s)	Kg	
Total vehicle weight under full load at YMAX	Front axle(s)	Kg	
	Rear axle(s)	Kg	

To maintain the driving comfort (lightness of steering, braking) of vehicles in all load and driving conditions once the vehicle is bodied, the following minimum axle load(s) must be respected: A value corresponding to 26% of the weight of the unladen bodied vehicle kerb weight (with driver, without passenger)

This table includes the weights of the RENAULT TRUCKS options: full urea tank, oil, screen wash fluid and coolant at 100%, fuel fill level 90% and driver present (75kg).

LENGTHS

Wheelbase		mm	3.900
Front Overhang	(H / BEP L016)	mm	1365
Wheelbase	(F / BEP L011)	mm	3900
Axle Spacing	Axle 2-3 (BEP L012.2)	mm	1325.00
Rear overhang	Chassis (BEP L020)	mm	1015
Centre of Gravity of vehicle	at X (BEP L044)	mm	1287.00
Technical wheelbase	(F' / BEP L015)	mm	3394
Overall Chassis Length	(A / BEP L032+L016)	mm	6280

HEIGHTS

Wheelbase		mm	3.900
Ground clearance, laden	Front (U1 / BEP H015)	mm	244
	Rear (U3 / BEP H016)	mm	228
Max. exterior height unladen	(BEP H001)	mm	3932
Max. exterior height, cab tilted, unladen	(O1 / BEP H061)	mm	4395.00
Cab height (unladen)	(O)	mm	3647
Distance from ground to lowest point at front of vehicle	Unladen (H0 / BEP H18)	mm	362.00
	Laden (H0 / BEP H18)	mm	301.00
Frame top height at front axle	Unladen (H1 / BEP H035)	mm	1003.00
	Laden (H1 / BEP H036)	mm	952.00
Frame top height at drive axle	Unladen (H2 / BEP H037)	mm	987
	Laden (H2 / BEP H038)	mm	963
Frame top height at the rear of the frame	Unladen (HN)	mm	983.00
	Laden (HN)	mm	966.00
Centre of Gravity of vehicle	Unladen at Z (BEP H044)	mm	907.00
Side member height	(BEP H032)	mm	300.00

TOWING DEVICE

Wheelbase		mm	3.900
Distance between the front of the vehicle and the centre of the trailer coupling device	(BEP L073 + L016)	mm	4715.00
Distance between centre of last axle to centre of coupling device		mm	
Fifth wheel height, from top of side member	(BEP H074 + H071)	mm	270.00
Fifth wheel height from ground	Unladen (BEP H076)	mm	1259
	Laden (BEP H078)	mm	1232
Swept Swing Clearance	(BEP L078)	mm	
Fifth wheel position	Max. (Ymax / BEP L075)	mm	433

Your contact



www.renault-trucks.com



**PERSONALISED
SPECIFICATION
SHEET**

Gross Vehicle Weight	at YMAX	Kg	23400.00
Gross Vehicle Weight, load on front axle(s)	at YMAX	Kg	7100.00
Gross Vehicle Weight, load on rear axle(s)	at YMAX	Kg	16300.00
King Pin Load	at YMAX	Kg	15062.00
King Pin Load on Front Axle(s)	at YMAX	Kg	1923.00
King Pin Load on RearAxle(s)	at YMAX	Kg	13139.00
Fifth wheel position	Min. (Yrmin / BEP L077)	mm	-85
Gross Vehicle Weight	at YMIN	Kg	23400.00
Gross Vehicle Weight, load on front axle(s)	at YMIN	Kg	4800.00
Gross Vehicle Weight, load on rear axle(s)	at YMIN	Kg	18600.00
King Pin Load	at YMIN	Kg	15062.00
King Pin Load on Front Axle(s)	at YMIN	Kg	-377.00
King Pin Load on RearAxle(s)	at YMIN	Kg	15439.00
Fifth wheel position	Manufacturer's recommendation (Y / BEP L076)	mm	550
Gross Vehicle Weight	in fifth wheel position recommended by manufacturer	Kg	20205.00
Gross Vehicle Weight, load on front axle(s)	in fifth wheel position recommended by manufacturer	Kg	7100.00
Gross Vehicle Weight, load on rear axle(s)	in fifth wheel position recommended by manufacturer	Kg	13105.00
King Pin Load	in fifth wheel position recommended by manufacturer	Kg	11867.00
King Pin Load on Front Axle(s)	in fifth wheel position recommended by manufacturer	Kg	1923.00
King Pin Load on RearAxle(s)	in fifth wheel position recommended by manufacturer	Kg	9944.00
Fifth wheel position	Intermediate 1	mm	500.00
Gross Vehicle Weight	in intermediate fifth wheel position 1	Kg	21392.00
Gross Vehicle Weight, load on front axle(s)	in intermediate fifth wheel position 1	Kg	7100.00
Gross Vehicle Weight, load on rear axle(s)	in intermediate fifth wheel position 1	Kg	14292.00
King Pin Load	in intermediate fifth wheel position 1	Kg	13054.00
King Pin Load on Front Axle(s)	in intermediate fifth wheel position 1	Kg	1923.00
King Pin Load on RearAxle(s)	in intermediate fifth wheel position 1	Kg	11131.00
Fifth wheel position	Intermediate 2	mm	450.00
Gross Vehicle Weight	in intermediate fifth wheel position 2	Kg	22843.00
Gross Vehicle Weight, load on front axle(s)	in intermediate fifth wheel position 2	Kg	7100.00
Gross Vehicle Weight, load on rear axle(s)	in intermediate fifth wheel position 2	Kg	15743.00
King Pin Load	in intermediate fifth wheel position 2	Kg	14505.00
King Pin Load on Front Axle(s)	in intermediate fifth wheel position 2	Kg	1923.00
King Pin Load on RearAxle(s)	in intermediate fifth wheel position 2	Kg	12582.00
Sliding fifth wheel	front fork	mm	4.71
	rear yoke	mm	4.22

WIDTHS

Wheelbase		mm	3.900
Max exterior cab width with rear view mirrors open	(BEP W001)	mm	2534.00
Max. cab width	(BEP W002)	mm	2534
Frame width	Front (BEP W035)	mm	1080
	Rear (BEP W036)	mm	850
Width at rear wheels	Rear axle 1 (V3 / BEP W003.1)	mm	2330
	Rear axle 2 (V5 / BEP W003.3)	mm	2474.00
Track	Front (V1 / BEP W013.1)	mm	2035
	Rear 1 (V2 / BEP W013.2)	mm	2030
	Rear 2 (V4 / BEP W013.2)	mm	1834.00

OTHER

Wheelbase		mm	3.900
Approach angle	(BEP H010)	°	14

Your contact



www.renault-trucks.com



**PERSONALISED
SPECIFICATION
SHEET**

Ramp angle	(BEP H012)	°	22.30
Departure angle	(BEP H011)	°	18.60
Side member thickness	(BEP W034)	mm	7.00
Turning Radius	Overall (BEP W012)	mm	6900.00
	kerb to kerb	mm	6200.00
	interior	mm	2778.00

Your contact



www.renault-trucks.com



DTI 11 ENGINE

Max. power: 338 kW at 1800 rpm

Max. torque: 2200 Nm from 1000 rpm to 1400 rpm

Power output (UK): 453 hp

6-cylinder in-line diesel engine - Common rail high-pressure fuel-injection (1700 bar) - 24 valves - overhead camshaft, rear-mounted timing

High pressure provided by three pumps on injector bodies

Bore 123 mm - stroke 152 mm - Capacity 10.8 L

Turbocharger

Electronically controlled fan

Direction of rotation (seen from G/B end): anti-clockwise

EEC EURO VI pollution control level

Compact post-treatment system (7th injector, catalytic converter, DPF, SCR)

Soundproofing level complies with EEC standards (80dB)

ENGINE EQUIPMENT

Power mode inhibited after passing the 'hard spot' of the accelerator pedal

Partial gas recycling (semi-closed circuit)

Automatic engine cut-off

Electronic speed limiter (90 km/h).

CLUTCH

Single-plate clutch, diameter 430 mm

GEARBOX

Optidriver gearbox AT 2412E (14.94 - 1) automated clutch.

Aluminium housing. Max. torque 2400 Nm, 12 forward gears and 3 reverse gears

Choice of mode of use on steering wheel (automatic/manual)

Steering wheel mounted gear selector

Gearshifting strategy optimised for FUEL ECO

Gearbox rear intermediate housing in aluminium

RETARDER

OPTIBRAKE (power rating 300 kW at 2300 rpm), combination of the exhaust brake and valve compression braking, coupled to service brake

POWER TAKE-OFFS

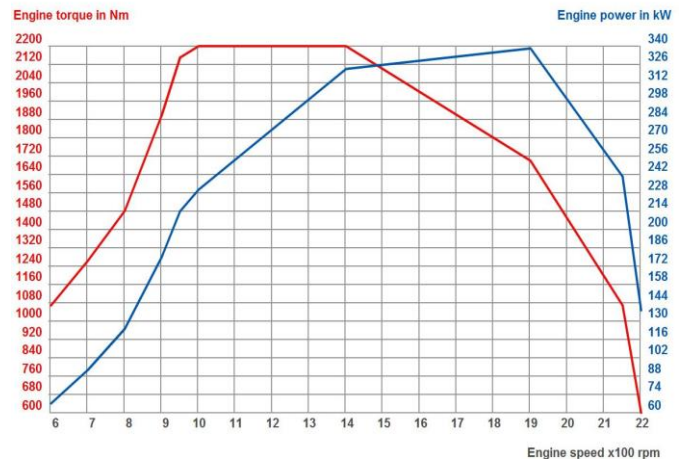
Without gearbox mounted PTO

STEERING

Right hand drive.

Hydraulic power steering, variable flow pump

Steering ratio 20:1 - Steering wheel diameter 460 mm



Driving on the left

FRONT AXLE

Load capacity (technical max.) Front axle: 7.1 t.

REAR AXLE

Liftable rear axle

Load shedding on drive axle up to 10.5t

Rear axle position : in front of engine drive axle

REAR DRIVE AXLE

P13170 single reduction final drive axle

Differential lock

Rear loading capacity (technical max.): 19 t

Rear load 7.1t - 11.5t

Drive axle ratio: 2.85

Engine speed at 90 km/h: 1343 rpm

WHEELS AND TYRES

Dimension 295/80 R22.5

Profile C. HYBRID HS3 / HDR2+

Steel disc wheels

Front wheel trims

Without spare wheel.

BRAKING

Service brake:

Braking system with two independent circuits

Ventilated disc brakes

Electronic management of air production by EACU (Electronic Air Control Unit):

Your contact



www.renault-trucks.com



Dryer cartridge optimised by preventive maintenance.
Twin-cylinder air compressor 900 l/min, 636 cm³
[Disengageable compressor](#)
[Aluminium air tanks.](#)
Brake hose couplers, UK standard
15 pin, 2x7 pin plug.
Trailer brake device at cab rear

EBS:

ESC (Electronic Stability Control) trajectory control and anti-rollover system
Hill Start Aid
Wheel anti spin regulation (ASR)
Brake pad wear balancing (discs)
Wheel antilock braking system (ABS)
Emergency braking assist (AFU)
Harmonisation of tractor and trailer braking (if fitted)
Brake performance warning
Coupling of retarders and service brakes

Parking brake:

EPB (Electronic Parking Brake) automatic parking brake, immobilization provided by spring cylinders

Brake adjustment:

Automatic brake lining slack compensation.

Emergency brake:

Ensured by independence of main device circuits

CAB

Cab exterior:

All steel Cab, electro-zinc plated and cathophoretic paint treatment.
Sleeper Cab
Cab paint colour: WHITE EKLA
Full paint
Dark grey front face finish
Aerodynamic dirt deflectors on the headlamps
[4-point cab air suspension with ride-height control system](#)
Two side doors of which one is accessible from inside the cab
2 heated, remote control rear view mirrors.
2 wide angle rearview mirrors.
Kerb view mirror.
Rear view mirrors for bodywork up to 2.55 m wide
Fold-back front view mirror
Rearview mirrors silver finish
Air horn
Spray suppression on front wings
[Side deflectors \(left-hand opening panel\)](#)
[Quick-adjust roof deflector](#)
Door extension
[External sun visor.](#)
Without rear window.

Cab interior:

Ultimate Alu finish
Ultimate roof console, de luxe coating, 4 storage compartments with doors including 1 with key lock, 1 storage space with net, folding mirror, 4 ISO modules
[Electric interior sun blind on windscreen, manual blinds on driver and passenger side windows](#)
[Radio CD/MP3 / USB Bluetooth compatible](#)
CB pre-equipment.
Dual CAN digital tachograph
Offset 24 V socket
Electrically operated roof hatch.
Mosquito net on air vent
Interior roof grab handle
Rubber floor mat
Air-suspended driver's seat with fitted seat belt
Driver's armrest
Safety belt warning.
Fixed passenger's seat with seat belt.
Vinyl and fabric seat trim.
Performance lower bunk
Air supply to the rear of the driver's seat
[Drawer under bunk with document holder](#)
Reading lamps on overhead ledge
Direct cab lighting
Red night lighting
Cab lighting time-delay.
Curtains around cab.
Bunk area lighting
Bunk area remote control
12 and 24 V sockets on bunk
Provision for 50A max. electrical power supply
2 storage boxes under bunk, one accessible from interior and exterior
2 Coat hooks on rear panel and one on passenger side
[One-touch electric windows](#)
Cab independent night heater air/air (2 kW)
[Electronically regulated comfort air conditioning with compressor optimisation](#)
Cab air filtration
Handbook and Service pack in English.
2 loudspeakers.

Steering wheel equipment:

[Ultimate leather steering wheel with cruise control and telephone control](#)
OPTIDRIVER control
OPTIBRAKE and retarder control on right-hand side
[Easy Access steering column adjustable in 3 directions](#)
Removable writing board on steering wheel

Instrument panel:

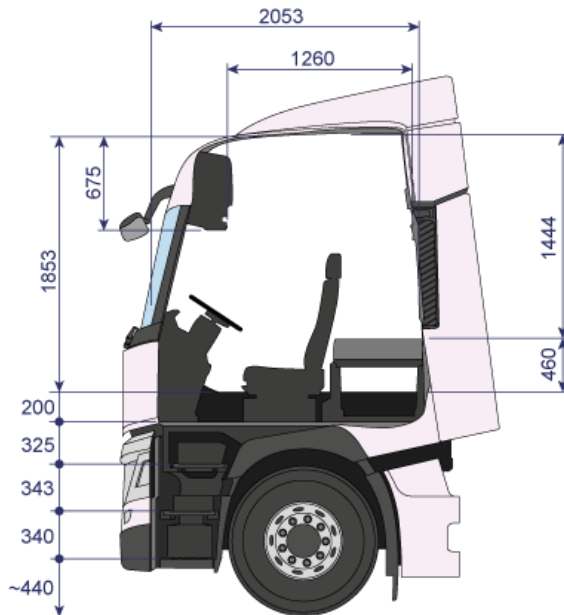
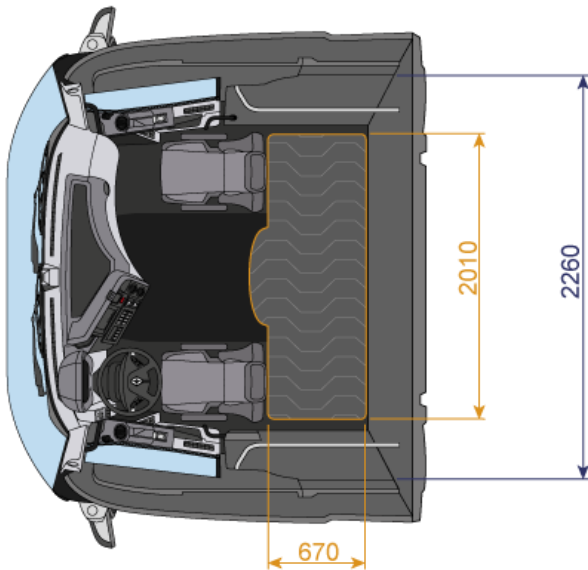
7" HD colour information display
Speedometer in miles
12 V + 24 V socket on dashboard, for accessories.
Starting inhibitor controlled by transponder key.
Remote control central door locking with folding key
[Two additional ignition keys](#)
[Soft cruise control with Optiroll](#)

Your contact



www.renault-trucks.com





ELECTRONIC EQUIPMENT:

SAE cab socket for vehicle data extraction (Optifuel Infomax).
[FMS Gateway fleet management interface](#)
 Telematics provision including the TGW (Telematics GateWay): base for subscription to Optifleet Map, Check and Drive services
[Electrical pre-arrangement for safety system \(LDWS: lane departure warning system, alcolock, cameras\)](#)

English and French language display
 Additional language (Spanish)

ELECTRICAL EQUIPMENT

Battery capacity: 225 Ah
 Batteries located in the rear overhang
 Battery cut-out remote control
 Electrical circuit automatically goes to standby
 Alternator : 110 amp capacity.

CHASSIS

Removable front towing cap.
 Front under-run protection.
 Closing cross member with pre-drilling for towing yoke
 Manual sliding medium fifth wheel mounting H=50 mm
 Fontaine SP150 (sheet metal) 2" fifth wheel, D 150 kN
 Fifth wheel position: Y = 550 mm
[Extended rear platform.](#)
 Rear wings with anti-spray
 Wings fitted in standard position.
 Side exhaust.

BUMPER - STEPS AND LIGHTING

3-part plastic bumper
 Retractable windscreen access step in radiator grille
 Access to driving position by 3 steps
 Step lighting.
[Automatic windscreen wiping with rain sensor](#)
[Automatic lights](#)
 Electrical headlamp levelling control.
 Running lights
 Provision for lighting rail on front end
 Coupling light (70W).
 Front fog lights.
 Halogen headlights
 Roof beacon pre-equipment

SUSPENSION

Front suspension

2-leaf front leaf springs
 Stabiliser bar

Rear suspension:

Air suspension
 Suspension remote control (2 channels).

FUEL TANK

Main aluminium tank
 Main fuel tank: 480 litres capacity D710 profile mounted on left & with access steps

Your contact



www.renault-trucks.com



Sedimenter and prefilter (R60). Bleed control on dashboard.

Interface for bodybuilder connections and BBM module (Body Builder Module)

AdBlue

64-litre AdBlue tank (D710)
Tank on the right

STANDARD EQUIPMENT

Tool kit.
Reversing warning buzzer, including night switch.
Windscreen washer bottle capacity: 12L

BODYWORK

Side marker lights.

SERVICE

Optifleet:

Pre-equipment for Optifleet Check: technical data reports for fuel consumption monitoring by vehicle and by driver, activation of service on request subject to monthly subscription

Pre-equipment for Optifleet Drive: Monitoring of activity times and remote download of driver card data and tachograph memory, activation of service on request subject to monthly subscription

Pre-equipment for monthly Optifleet Map: vehicle geolocation, geofencing and route analysis. Activation of service on request subject to monthly subscription

GEARBOX RATIOS

1	2	3	4	5	6	7	8	9	10	11	12
14.94	11.73	9.04	7.09	5.54	4.35	3.44	2.70	2.08	1.63	1.27	1.00

The manufacturer reserves the right to modify the specifications above without prior notice.

Non contractual document.

For further assistance please contact Product Applications at Renault Trucks UK Limited, Houghton Hall Business Park, Porz Avenue, Dunstable, LU5 5FT. Telephone +44 (0)1582 471122.

Your contact



www.renault-trucks.com

