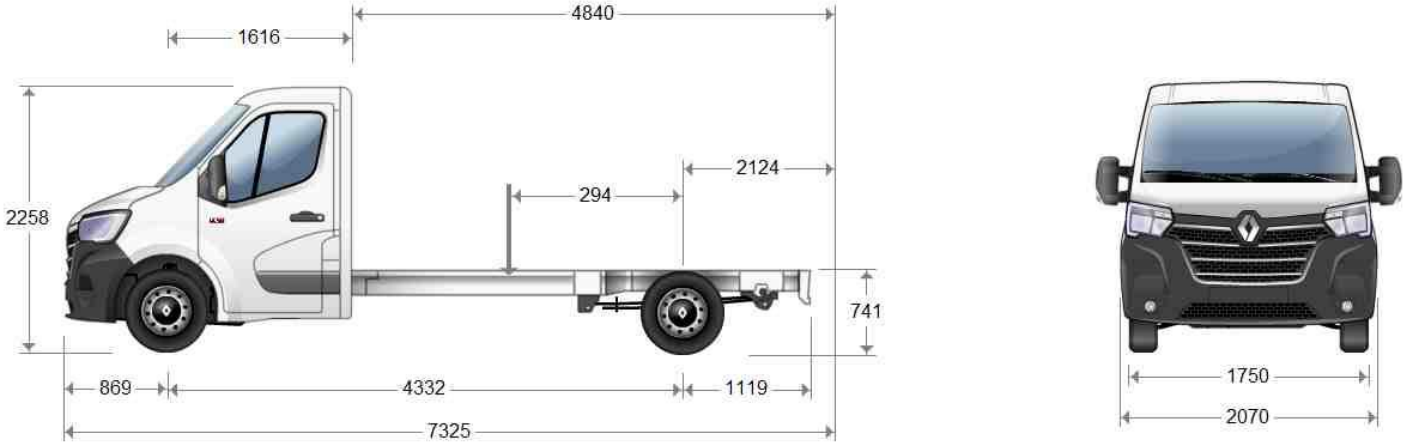


## MASTER RED EDITION - CCAB FWD 3T5 150.35 - L3 - GVW 3.5 T /



### WEIGHTS

Wheelbase		mm	4.332
Kerb Weight	total	Kg	1927
	Front axles (Liftable axle down)	Kg	1410
Chassis cab kerb weight	Rear axles (Liftable axle down)	Kg	486
Payload	(C)	Kg	1573
Maximum Weight (registered)	Front axle(s)	Kg	1850
	Rear axle(s)	Kg	2100
	Total (GVW)	Kg	3500

This table includes the weights of the RENAULT TRUCKS options: full urea tank, oil, screen wash fluid and coolant at 100%, fuel fill level 90% and driver present (75 kg)

### LENGTHS

Wheelbase		mm	4.332
Body length	(F / BEP L011)	mm	4332
	Max. (Wmax / BEP L105)	mm	4840
Bodywork rear overhang	Min. (Wmin / BEP L105)	mm	3834
	Max. (Xmax / BEP L017)	mm	2124
Max Overall Length (Z)	Min. (Xmin / BEP L017)	mm	1119
	(Zmax / BEP L001)	mm	7325
Min Overall Length (Z)	(Zmin / BEP L001)	mm	6320
Overall Chassis Length	(A / BEP L032+L016)	mm	6320
Front Overhang	(H / BEP L016)	mm	869
Cab entry	(B / BEP L102)	mm	1616
Rear overhang	Chassis	mm	1119

### HEIGHTS

Wheelbase		mm	4.332
Cab height (unladen)	(O)	mm	2258
Ground clearance, laden	Front (U1 / BEP H015)	mm	166
	Rear (U3 / BEP H016)	mm	166

### WIDTHS



Allports Group

T 01543 420120

E loader@allportsgroup.co.uk

W www.allportsgroup.co.uk

<b>Wheelbase</b>		<b>mm</b>	<b>4.332</b>
Track	Front (V1 / BEP W013.1)	mm	1750
	Rear 1 (V2 / BEP W013.2)	mm	1730
Max. cab width	(BEP W002)	mm	2070

**OTHER**

<b>Wheelbase</b>		<b>mm</b>	<b>4.332</b>
Turning Radius	Overall (BEP W012)	mm	8100



**Allports Group**

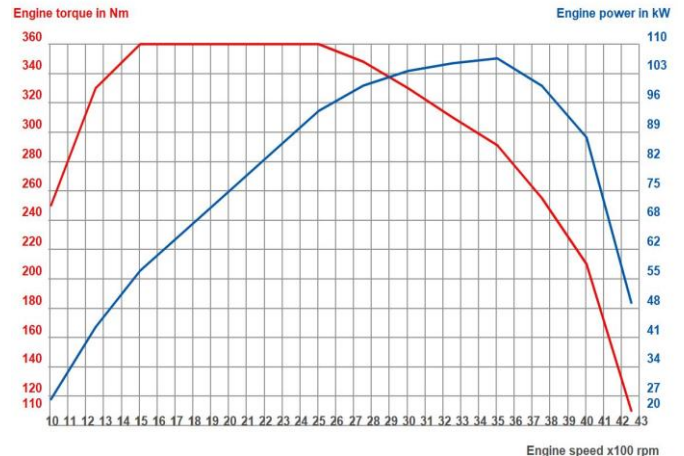
**T** 01543 420120

**E** loader@allportsgroup.co.uk

**W** www.allportsgroup.co.uk

## ENGINE

**Diesel 4-cylinder in-line with high-pressure Common Rail direct injection (2200 bar)**  
**Bore 85 mm - Stroke 101.3 mm - Displacement 2.3 L**  
**Cooled air intake**  
**Twin water-cooled turbochargers**  
**Cooled EGR system**  
**Chain-driven timing**  
**Maximum power: 107 kW at 3500 rpm.**  
**Maximum torque: 360 Nm between 1500 and 2500 rpm.**  
 Direction of rotation (seen from gearbox end): anti-clockwise  
 Diesel Particulates filter.  
 SCR post-treatment pollution control system with AdBlue injection controlled electronically



## ENGINE EQUIPMENT

ECO mode: engine mapping and torque control and optimisation of temperature comfort settings  
 Stop & Start system  
 Without engine Power Take Off.  
*Speed limiter (110 km/h)*

## CLUTCH

Single disc dry clutch, diameter 260mm

## GEARBOX

PF6 gearbox, 6 synchronised forward gears and 1 reverse  
 Aluminum casing

## POWER TAKE-OFFS

Without gearbox mounted PTO

## STEERING

Right hand drive.  
 Retractable rack and pinion steering assisted by hydraulic electric pump with collapsible steering in case of impact.

## FRONT AXLE

Independent wheels.  
 Lower wishbone.  
 MacPherson suspension system.  
 Maximum load on front axle 1850 kg.  
 Transmission to front wheels by 2 shafts each with 2 constant velocity joints.

## REAR AXLE ASSEMBLY

Rigid tubular axle guided by leaf springs.  
 Max. technical capacity: 2100 kg

## WHEELS AND TYRES

Fit standard tyres.  
 Wheels 16"  
 225/65 R16 tyres.  
 J 6.5 wheel rims.  
 (Tyre make depending on availability).  
 Single wheel fitment.  
 Standard wheel trims

## BRAKING

### Service brake:

Disc brakes: 302x28 ventilated at the front, 305x12 at the rear.  
 Anti-lock Braking System (ABS) with  
 Emergency Brake Assist (EBA)

## CAB

### Cab exterior:

All steel Cab, electro-zinc plated and cataphoretic paint treatment.  
 Cab paint colour: Mineral White  
 technical code: 01395  
 Body colour roof (if standard paint).  
 Bonnet lift to give access to oil dipstick, windscreen washer bottles, cooling and brake fluid reservoirs plus the offset battery terminals.  
 Anthracite grained front protective moulding.  
 2 heated, remote control wing mirrors with integral indicator lights.  
 Standard door mirror arms  
 Front access by anti-slip step  
 Windscreen access steps integrated into front bumper  
 Front mud flaps.

## Cab interior:

Cab 2/3-seats.  
Height H1.  
Without tachograph  
Adjustable driver's seat  
*Passenger double seat*  
*Folding central seat backrest with fold-up shelf*  
*Under-seat storage compartment*  
Lifting driver's armrest  
*Fabric seat upholstery (charcoal with white over stitching)*  
*Fabric seat upholstery charcoal with white over stitching*  
Driver's airbag.  
Grab handle for front passengers.  
7 l refrigerated glove compartment  
Refrigerated glove box  
Opening of the doors controls the courtesy light and sets off audible alert if light left on.  
Driver's window with impulse control.  
Screen wash fluid European area  
Adjustable 4-speed, 6 positions, heater/ defroster for windscreen and front side window demisting.  
Air conditioning unit  
Driving compartment filter, anti-pollen  
Manual in English  
Full width glazed bulkhead between cab and load area.  
*Partition trim.*  
3-position front windscreen wiper/windscreen washer.  
*Radio MediaNav DAB (Digital Audio Broadcasting) with Bluetooth & USB*

## Instrument panel:

Fully equipped instrument panel including:  
On-board computer integrating speedometer and tachometer with 3.5" monochrome settings screen for:  
fuel level, consumptions, AdBlue level, totalisers, temperatures  
*Smartphone mirroring on the navigation system screen*  
*Android Auto and Apple CarPlay compatible*  
*MediaNav navigation*  
*Western Europe mapping: Italy, Luxembourg, Belgium, Netherlands, Switzerland, Austria, France, England, Ireland, Spain, Portugal, Morocco,*  
*Algeria, Tunisia, Malta, Austria, Luxembourg, Germany, Liechtenstein, Greece, French National territories*  
Remote control central door locking.  
Automatic door-locking when vehicle moves off.  
*3rd key*  
2-button folding key  
Cruise control with speed limiter with steering wheel controls  
Rational driving aid.

## ELECTRICAL EQUIPMENT

Alternator: 185-amp capacity.  
Automatic windscreen wiping with rain sensor and automatic illumination of lights  
LED front halogen daytime running lights  
Headlight automatic adjustment  
*Front fog lights.*  
Two wide-angle reversing lights and one rear fog light.  
Wiring for supplementary adaptation.  
Reinforced flasher unit for trailer lighting

## CHASSIS

Short rear overhang.  
GVW = 3.5T / GCW = 6T  
=>Maximum trailer weight: 2500 kg

## SUSPENSION

### Front suspension

Helical suspension springs. Hydraulic, telescopic shock absorbers.

### Rear suspension:

Single-leaf steel suspension  
Straight shackles  
Additional spring with polyurethane bump stop

## FUEL TANK

*Main fuel tank capacity: 105 litres*  
Secured access to fuel and AdBlue filler flaps

## AdBlue

20-litre AdBlue tank

## STANDARD EQUIPMENT

Jack.  
Tool kit under driver's seat.  
Towing yoke.

## BODYWORK

Predisposition for connection to bodybuilder box. Provides the following information: Air con operation, brake position, engine speed, clutch position, right and left indicators, hazard warning lights, ignition key position, door status, centralised control. The bodybuilder box Pro available for retrofitting (Box+cable (radio operator connection) +instructions)

## SPECIAL OPTIONS

PDI, Factory and Mainland UK Delivery  
Slim Jim 1065 mm platform 500kg Safe Working Load  
4.2M Curtain side body with integrated cab air deflector

## GEARBOX RATIOS

1	2	3	4	5	6
4.18	2.11	1.29	0.90	0.71	0.60