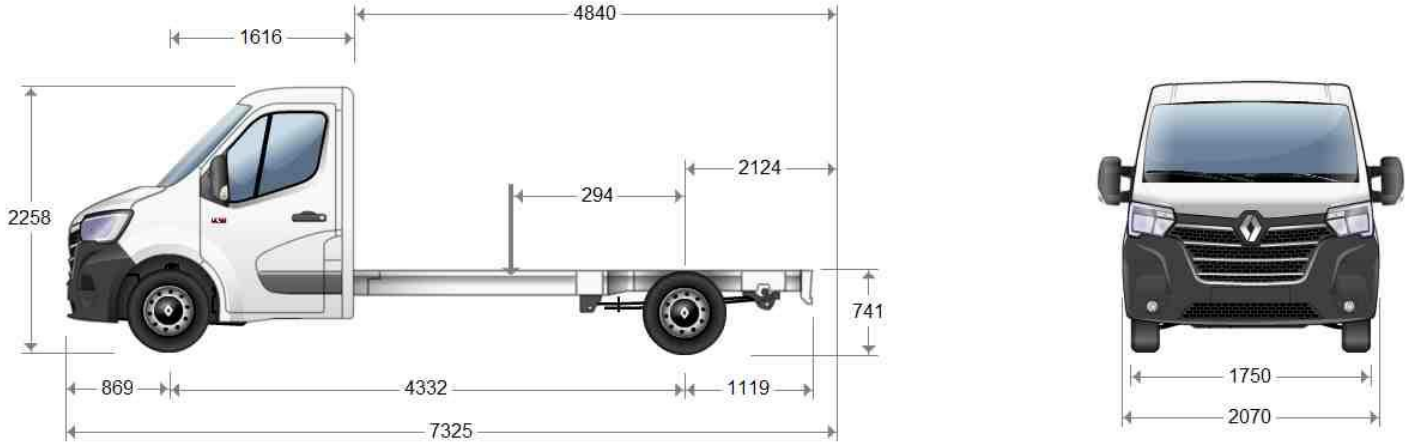


MASTER RED EDITION - CCAB FWD 3T5 150.35 - L3 - GVW 3.5 T /



WEIGHTS

Wheelbase		mm	4.332
Kerb Weight	total	Kg	1927
Chassis cab kerb weight	Front axles (Liftable axle down)	Kg	1410
	Rear axles (Liftable axle down)	Kg	486
Payload	(C)	Kg	1573
Maximum Weight (registered)	Front axle(s)	Kg	1850
	Rear axle(s)	Kg	2100
	Total (GVW)	Kg	3500

This table includes the weights of the RENAULT TRUCKS options: full urea tank, oil, screen wash fluid and coolant at 100%, fuel fill level 90% and driver present (75 kg)

LENGTHS

Wheelbase		mm	4.332
Body length	(F / BEP L011)	mm	4332
	Max. (Wmax / BEP L105)	mm	4840
	Min. (Wmin / BEP L105)	mm	3834
Bodywork rear overhang	Max. (Xmax / BEP L017)	mm	2124
	Min. (Xmin / BEP L017)	mm	1119
Max Overall Length (Z)	(Zmax / BEP L001)	mm	7325
Min Overall Length (Z)	(Zmin / BEP L001)	mm	6320
Overall Chassis Length	(A / BEP L032+L016)	mm	6320
Front Overhang	(H / BEP L016)	mm	869
Cab entry	(B / BEP L102)	mm	1616
Rear overhang	Chassis	mm	1119

HEIGHTS

Wheelbase		mm	4.332
Cab height (unladen)	(O)	mm	2258
Ground clearance, laden	Front (U1 / BEP H015)	mm	166
	Rear (U3 / BEP H016)	mm	166

WIDTHS



Allports Group

T 01543 420120

E loader@allportsgroup.co.uk

W www.allportsgroup.co.uk

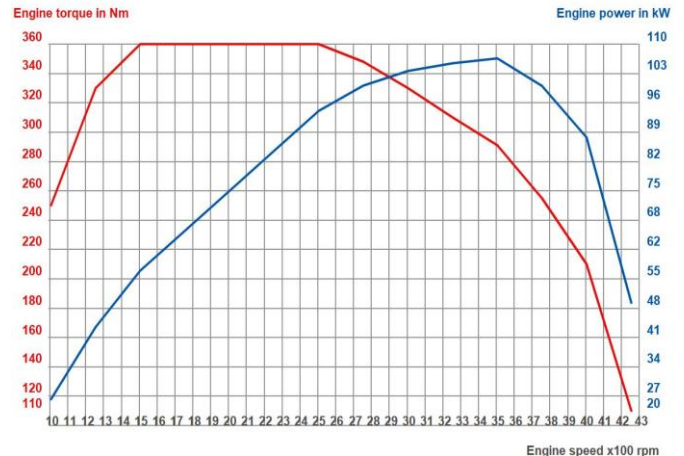
Wheelbase		mm	4.332
Track	Front (V1 / BEP W013.1)	mm	1750
	Rear 1 (V2 / BEP W013.2)	mm	1730
Max. cab width	(BEP W002)	mm	2070

OTHER

Wheelbase		mm	4.332
Turning Radius	Overall (BEP W012)	mm	8100

ENGINE

Diesel 4-cylinder in-line with high-pressure Common Rail direct injection (2200 bar)
Bore 85 mm - Stroke 101.3 mm - Displacement 2.3 L
 Cooled air intake
 Twin water-cooled turbochargers
 Cooled EGR system
 Chain-driven timing
Maximum power: 107 kW at 3500 rpm.
Maximum torque: 360 Nm between 1500 and 2500 rpm.
 Direction of rotation (seen from gearbox end): anti-clockwise
 Diesel Particulates filter.
 SCR post-treatment pollution control system with AdBlue injection controlled electronically



ENGINE EQUIPMENT

ECO mode: engine mapping and torque control and optimisation of temperature comfort settings
 Stop & Start system
 Without engine Power Take Off.
Speed limiter (110 km/h)

CLUTCH

Single disc dry clutch, diameter 260mm

GEARBOX

PF6 gearbox, 6 synchronised forward gears and 1 reverse
 Aluminium casing

POWER TAKE-OFFS

Without gearbox mounted PTO

STEERING

Right hand drive.
 Retractable rack and pinion steering assisted by hydraulic electric pump with collapsible steering in case of impact.

FRONT AXLE

Independent wheels.
 Lower wishbone.
 MacPherson suspension system.
 Maximum load on front axle 1850 kg.
 Transmission to front wheels by 2 shafts each with 2 constant velocity joints.

REAR AXLE ASSEMBLY

Rigid tubular axle guided by leaf springs.
 Max. technical capacity: 2100 kg

WHEELS AND TYRES

Fit standard tyres.
 Wheels 16"
 225/65 R16 tyres.
 J 6.5 wheel rims.
 (Tyre make depending on availability).
 Single wheel fitment.
 Standard wheel trims
Spare wheel.

BRAKING

Service brake:

Disc brakes: 302x28 ventilated at the front, 305x12 at the rear.
 Anti-lock Braking System (ABS) with
 Emergency Brake Assist (EBA)

CAB

Cab exterior:

All steel Cab, electro-zinc plated and cataphoretic paint treatment.
 Cab paint colour: Mineral White
 technical code: 01395
 Body colour roof (if standard paint).
 Bonnet lift to give access to oil dipstick, windscreen washer bottles, cooling and brake fluid reservoirs plus the offset battery terminals.
 Anthracite grained front protective moulding.
 2 heated, remote control rear view mirrors with integral indicator lights.
 Standard door mirror arms
 Front access by anti-slip step
 Windscreen access steps integrated into front bumper
 Front mud flaps.

Cab interior:

Cab 2/3-seats.
 Height H1.
 Without tachograph
 Adjustable driver's seat
Passenger double seat
Folding central seat backrest with fold-up shelf
Under-seat storage compartment
 Lifting driver's armrest
Fabric seat upholstery (charcoal with white over stitching)
Fabric seat upholstery charcoal with white over stitching
 Driver's airbag.
 Grab handle for front passengers.
 7 l refrigerated glove compartment
 Refrigerated glove box
 Opening of the doors controls the courtesy light and sets off audible alert if light left on.
 Driver's window with impulse control.
 Screen wash fluid European area
 Adjustable 4-speed, 6 positions, heater/ defroster for windscreen and front side window demisting.
 Air conditioning unit
 Driving compartment filter, anti-pollen
 Manual in English
 Full width glazed bulkhead between cab and load area.
Partition trim.
 3-position front windscreen wiper/windscreen washer.
Radio MediaNav DAB (Digital Audio Broadcasting) with Bluetooth & USB

Instrument panel:

Fully equipped instrument panel including:
 On-board computer integrating speedometer and tachometer with 3.5" monochrome settings screen for:
 fuel level, consumptions, AdBlue level, totalisers, temperatures
Smartphone mirroring on the navigation system screen
Android Auto and Apple CarPlay compatible
MediaNav navigation
Western Europe mapping: Italy, Luxembourg, Belgium, Netherlands, Switzerland, Austria, France, England, Ireland, Spain, Portugal, Morocco, Algeria, Tunisia, Malta, Austria, Luxembourg, Germany, Liechtenstein, Greece, French National territories
 Remote control central door locking.
 Automatic door-locking when vehicle moves off.
3rd key
 2-button folding key
 Cruise control with speed limiter with steering wheel controls
 Rational driving aid.

ELECTRICAL EQUIPMENT

Alternator: 185 amp capacity.
 Automatic windscreen wiping with rain sensor and automatic illumination of lights
 LED front halogen daytime running lights
 Headlight automatic adjustment
Front fog lights.
 Two wide-angle reversing lights and one rear fog light.
 Wiring for supplementary adaptation.
 Reinforced flasher unit for trailer lighting

CHASSIS

Short rear overhang.
 GVW = 3.5T / GCW = 6T
 =>Maximum trailer weight: 2500 kg

SUSPENSION

Front suspension

Helical suspension springs. Hydraulic, telescopic shock absorbers.

Rear suspension:

Single-leaf steel suspension
 Straight shackles
 Additional spring with polyurethane bump stop

FUEL TANK

Main fuel tank capacity: 105 litres
 Secured access to fuel and AdBlue filler flaps

AdBlue

20-litre AdBlue tank

STANDARD EQUIPMENT

Jack.
 Tool kit under driver's seat.
 Towing yoke.

BODYWORK

Predisposition for connection to bodybuilder box. Provides the following information: Air con operation, brake position, engine speed, clutch position, right and left indicators, hazard warning lights, ignition key position, door status, centralised control. The bodybuilder box Pro available for retrofitting (Box+cable (radio operator connection) +instructions)

SPECIAL OPTIONS

PDI, Factory and Mainland UK Delivery
 Slim Jim 1065 mm platform 500kg swl
 4.2M Curtain side body with integrated cab air deflector

GEARBOX RATIOS

1	2	3	4	5	6
4.18	2.11	1.29	0.90	0.71	0.60



Allports Group

T 01543 420120

E loader@allportsgroup.co.uk

W www.allportsgroup.co.uk