

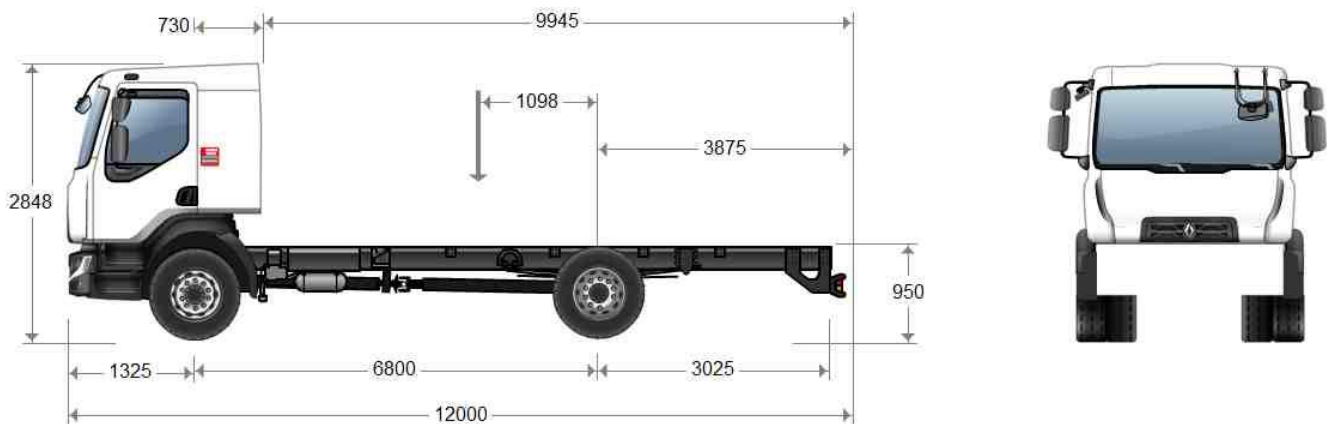
Model code : UKM\_40J80868HD01  
Print date: 13/07/2018  
Last updated: 13/07/2018

Prepared for :

## D 18 HIGH 4X2 R 280 E6 - GVW 18T / GCW 18.00 T

### RENAULT TRUCKS

#### D 18



### WEIGHTS

Wheelbase		mm	6.800
Payload	(C)	Kg	12142
Maximum Weight (registered)	Total (GVW)	Kg	18000
	Front axle 1	Kg	7100.00
	rear axle 1	Kg	11500
Min. weight complete vehicle unladen	Front axle(s)	Kg	4834.00
Kerb Weight	total	Kg	5858
	Front Axle 1	Kg	3862.00
Chassis cab kerb weight	Rear Axle 1	Kg	1996.00
	Front axle(s)	Kg	7100.00
Total vehicle weight under full load at YMAX	Rear axle(s)	Kg	10900.00
	Front axle(s)	Kg	5822.00
Total vehicle weight under full load at YMIN	Front axle(s)	Kg	5822.00
	Rear axle(s)	Kg	12178.00

To maintain the driving comfort (lightness of steering, braking) of vehicles in all load and driving conditions once the vehicle is bodied, the following minimum front axle load(s) must be respected: 2500 kg

This table includes the weights of the RENAULT TRUCKS options: full urea tank, oil, screen wash fluid and coolant at 100%, fuel fill level 90% and driver present (75 kg)

### LENGTHS

Wheelbase		mm	6.800
Front Overhang	(H / BEP L016)	mm	1325
Wheelbase	(F / BEP L011)	mm	6800
Rear overhang	Chassis	mm	3025



Bodywork rear overhang	Min. (Xmin / BEP L017)	mm	2443
	Max. (Xmax / BEP L017)	mm	3875
Cab entry	(B / BEP L102)	mm	730
Body length	Min. (Wmin / BEP L105)	mm	8513
	Max. (Wmax / BEP L105)	mm	9945
Load Centre of Gravity	Total	mm	0
Centre of Gravity of load	Max. (Ymax / BEP L103)	mm	1813
	Min. (Ymin / BEP L104)	mm	1098
Centre of Gravity of vehicle	at X (BEP L044)	mm	2347.00
Overall Chassis Length	(A / BEP L032+L016)	mm	11150

## HEIGHTS

Wheelbase		mm	6.800
Ground clearance, laden	Rear (U3 / BEP H016)	mm	232
	Front (U1 / BEP H015)	mm	273
Max. exterior height unladen	(BEP H001)	mm	2869
Max. exterior height, cab tilted, unladen	(O1 / BEP H061)	mm	3560.00
Cab height (unladen)	(O)	mm	2848
Distance from ground to lowest point at front of vehicle	Unladen (H0 / BEP H18)	mm	367.00
	Laden (H0 / BEP H18)	mm	270.00
Frame top height at front axle	Unladen (H1 / BEP H035)	mm	977.00
	Laden (H1 / BEP H036)	mm	891.00
Frame top height at drive axle	Unladen (H2 / BEP H037)	mm	950
	Laden (H2 / BEP H038)	mm	929
Frame top height at the rear of the frame	Unladen (HN)	mm	939.00
	Laden (HN)	mm	946.00
Centre of Gravity of vehicle	Unladen at Z (BEP H044)	mm	798.00
Side member height	(BEP H032)	mm	260.00

## TOWING DEVICE

Wheelbase		mm	6.800
Distance between the front of the vehicle and the centre of the trailer coupling device	(BEP L045 + L016)	mm	
Distance between centre of last axle to centre of coupling device		mm	
Height of towing hook / top of side member	(BEP H045)	mm	

## WIDTHS

Wheelbase		mm	6.800
Max exterior cab width with rear view mirrors open	(BEP W001)	mm	2478.00
Max. cab width	(BEP W002)	mm	2400
Frame width	Front (BEP W035)	mm	866
	Rear (BEP W036)	mm	866
Width at rear wheels	Rear axle 1 (V3 / BEP W003.1)	mm	2478
Track	Rear 1 (V2 / BEP W013.2)	mm	1833
	Front (V1 / BEP W013.1)	mm	1996

## OTHER

Wheelbase		mm	6.800
Approach angle	(BEP H010)	°	14
Ramp angle	(BEP H012)	°	12.40
Departure angle	(BEP H011)	°	12.10
Side member thickness	(BEP W034)	mm	8.00
Turning Radius	Overall (BEP W012)	mm	13050.00



	kerb to kerb	mm	12502.50
	interior	mm	7821.00



## DTI 8 ENGINE

**Max. power: 206 kW at 2100 rpm**

**Max. torque: 1050 Nm from 950 rpm to 1600 rpm**

Power output (UK): 276 hp

6-cylinder in-line diesel engine - 4 valves per cylinder - Rear-mounted timing

COMMON RAIL high-pressure direct fuel-injection 2000 bar

Bore 110 mm - stroke 135 mm - Capacity 7.7 litres

Variable geometry turbocharger

Exhaust gas recirculation

Direction of rotation (seen from G/B end): anti-clockwise

Oil capacity: 27 L including filtration

Sheet metal oil sump

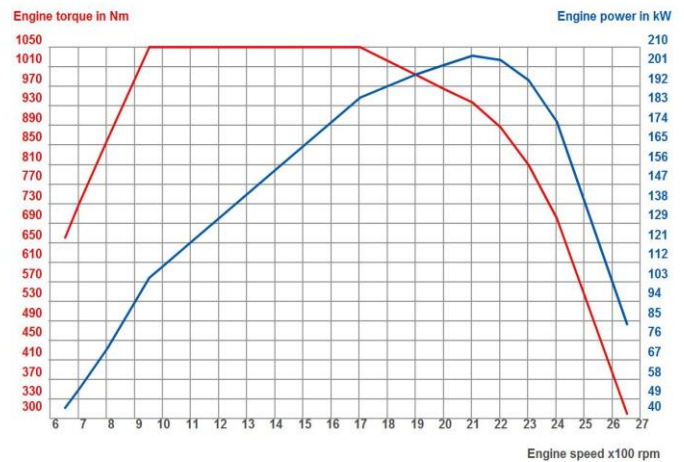
Cooling circuit capacity: 17 litres

Antifreeze protection: -25°C.

EEC EURO VI pollution control level

Compact post-treatment system (7th injector, catalytic converter, DPF, SCR)

Soundproofing level complies with EEC standards (80dB)



## ENGINE EQUIPMENT

Partial gas recycling (semi-closed circuit)

Without engine Power Take Off.

Electronic speed limiter (90 km/h).

## GEARBOX

OPTITRONIC 6AS 1000 automated gearbox (6.75 - 0.78) and automated clutch. Aluminium casing.

6 forward gears and 1 reverse gear.

Mode use control at steering wheel (automatic / manual / manoeuvre). Gear selection at steering wheel.

## RETARDER

Exhaust-mounted retarder (120 kW at 2800 rpm)

## POWER TAKE-OFFS

Without gearbox mounted PTO

## STEERING

Right hand drive.

Hydraulic steering box with variable step-down power assistance.

Driving on the left

## AXLE

Load capacity (technical max.) Front axle: 7.1 t.

## CLUTCH

SAE 395 pushed clutch

## REAR DRIVE AXLE

P11150 drive axle with single reduction

Without differential lock.

Load capacity: Rear axle: 11.5 t

Drive axle ratio: 4.13

Engine speed at 90 km/h: 1584 rpm

## WHEELS AND TYRES

Dimension 305/70 R 22.5

Profile G. KMAX S/D

Without spare wheel.

## BRAKING

### Service brake:

Braking system with two independent circuits

All-disc brakes

Electronic management of air production by APM (Air Product Management)

Dryer cartridge optimised by preventive maintenance

Single cylinder air compressor 500 l/min, 360 cm<sup>3</sup>

Without rear trailer coupling.

### EBS:

Anti-wheel lock braking system (ABS).

Anti-slip regulation (ASR).

Drag torque control (Torque control during downshifting).

Retarder and service brake linking

Differential engagement management (if equipped) at speeds <10 km/h (4x2)

Braking performance warning

ESC (Electronic Stability Control) trajectory control and anti-rollover system



Coupling traction test  
Emergency brake assist (EBA)  
Emergency brake lights (EBL)

**Parking brake:**

Air operated spring brake actuators on rear wheels

**Brake adjustment:**

Automatic brake lining slack compensation.

**Emergency brake:**

Ensured by independence of main device circuits

4-spoke steering wheel adjustable for height and depth, includes cruise control controls

**Instrument panel:**

Speedometer in miles  
*12V + 24V socket on dashboard, for accessories (24 volt wiring available in the header rail).*  
Starting inhibitor controlled by transponder key.  
Folding key.  
Remote control central door locking.  
Cruise Control with steering wheel-mounted controls

**CAB**

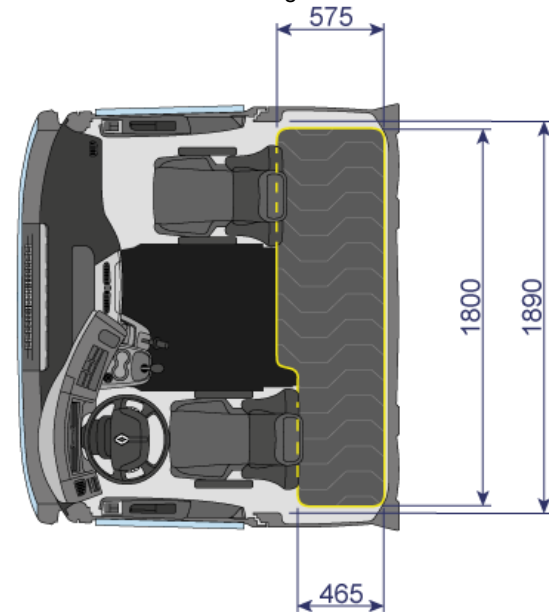
**Cab exterior:**

All steel Cab, electro-zinc plated and cataphoretic paint treatment.  
*Global cab*  
Anti-spray deflectors  
Cab suspension with rubber pads on the front and mechanical on the rear  
Hydraulic cab tilt.  
2 heated, remote control rear view mirrors.  
Rear view mirrors for bodywork from 2500 to 2600 mm wide  
Fold-back front view mirror  
Air intake behind cab.  
Air filter clogging indicator  
Spray suppression on front wings  
Provision for mounting external sun visor.  
Tinted, laminated windscreen.  
Without rear window.  
Cab paint colour: White ekla  
technical code: 09350

**Cab interior:**

Upper storage cupboard with net cover, 2 storage compartments (50 l) with net covers  
Three sun blinds on windscreen  
Analog radio with audio playback and streaming via Bluetooth 4.0  
with hands-free function and steering wheel-mounted controls  
DTCO 3.0 digital chronotachograph  
*Manually operated roof hatch.*  
Air-suspended driver's seat with fitted seat belt.  
Driver's armrest  
Red seat belts  
*Air-suspended passenger seat with seatbelt.*  
*One-piece lower bunk*  
Cab lighting time-delay.  
*Curtains around cab.*  
*First-aid box*  
Electrically operated door windows  
*Cab independent night heater air/air (2 kW)*  
*Air conditioning*  
Handbook and Service pack in English.  
*2 kg fire extinguisher in cab, accessible from inside and outside the cab*

**Steering wheel equipment:**



**ELECTRONIC EQUIPMENT:**

SAE cab socket for vehicle data extraction (Optifuel Infomax).  
*FMS Gateway fleet management interface*  
Lane Departure Warning System (LDWS)  
Advanced automatic emergency braking system  
English and French language display  
*Additional language (Polish)*

**ELECTRICAL EQUIPMENT**

*Battery capacity: 185 Ah*  
Battery isolation switch  
Alternator : 130 amp capacity.

**CHASSIS**

chassis protective paintwork, mineral grey colour  
technical code: 03650  
Standard rear overhang, pre-drilled for bodybuilder  
Removable front towing cap  
Front under-run protection.  
Without rear under-run bar .  
Closing cross member  
Side exhaust.



**BUMPER - STEPS AND LIGHTING**

3-part plastic bumper  
LED position lights  
Access to driving position by 2 stepwell steps.  
Step lighting.  
LED day running lights

**SUSPENSION****Front suspension**

Front parabolic leaf springs.

**Rear suspension:**

*Rear air suspension.*  
*2-channel air suspension control on dash board*  
Telescopic shock absorbers.

**GEARBOX RATIOS**

1	2	3	4	5	6
6.75	3.60	2.13	1.39	1.00	0.78

*The manufacturer reserves the right to modify the specifications above without prior notice.*

*Non contractual document.*

*For further assistance please contact Product Applications at Renault Trucks UK Limited, Wedgnoek Lane , Warwick , CV34 5YA Telephone +44 (0)1926 475333.*

**FUEL TANK**

*Main steel tank.*  
*Main fuel tank: 300 litres capacity mounted on right*

**AdBlue**

32-litre AdBlue tank

**STANDARD EQUIPMENT**

*Reversing warning buzzer, including night switch.*  
Windscreen washer bottle capacity: 12L

**BODYWORK**

Body mounting brackets front and rear.  
Bodybuilder access through bulkhead  
*Bodybuilder BBM electronic box interface bodybuilder expert functions via CAN bus).*  
*Electrical pre-arrangement for tail lift*