

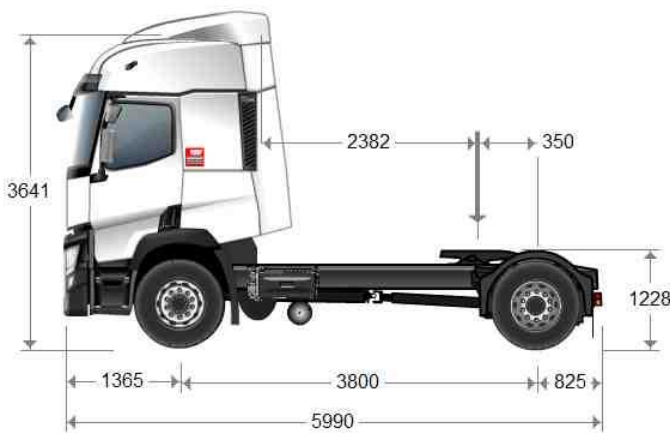
Model code : UKM_11MA016UK118
Print date: 13/12/2018
Last updated: 13/12/2018

Prepared for :

T 460.18 4X2 T E6 - GVW 18T / GCW 40.00 T

RENAULT TRUCKS

T 460



WEIGHTS

Wheelbase		mm	3.800
Maximum Weight (registered)	Total (GVW)	Kg	18000
Payload	(C)	Kg	10714
Maximum Weight (registered)	Front axle 1	Kg	7500.00
	rear axle 1	Kg	11500
Min. weight complete vehicle unladen	Front axle(s)	Kg	5772.00
Kerb Weight	total	Kg	7286
	Front Axle 1	Kg	5182.00
Chassis cab kerb weight	Rear Axle 1	Kg	2104.00
	Front axle(s)	Kg	
Total vehicle weight under full load at YMIN	Rear axle(s)	Kg	
	Front axle(s)	Kg	
Total vehicle weight under full load at YMAX	Front axle(s)	Kg	
	Rear axle(s)	Kg	

To maintain the driving comfort (lightness of steering, braking) of vehicles in all load and driving conditions once the vehicle is bodied, the following minimum axle load(s) must be respected: A value corresponding to 29% of the weight of the unladen bodied vehicle kerb weight (with driver, without passenger)

This table includes the weights of the RENAULT TRUCKS options: full urea tank, oil, screen wash fluid and coolant at 100%, fuel fill level 90% and driver present (75 kg)

LENGTHS

Wheelbase		mm	3.800
Front Overhang	(H / BEP L016)	mm	1365
Wheelbase	(F / BEP L011)	mm	3800



Rear overhang	Chassis	mm	825
Centre of Gravity of vehicle	at X (BEP L044)	mm	1109.00
Overall Chassis Length	(A / BEP L032+L016)	mm	5990

HEIGHTS

Wheelbase		mm	3.800
Ground clearance, laden	Front (U1 / BEP H015)	mm	231
	Rear (U3 / BEP H016)	mm	212
Max. exterior height unladen	(BEP H001)	mm	3926
Max. exterior height, cab tilted, unladen	(O1 / BEP H061)	mm	4389.00
Cab height (unladen)	(O)	mm	3641
Distance from ground to lowest point at front of vehicle	Unladen (H0 / BEP H18)	mm	359.00
	Laden (H0 / BEP H18)	mm	287.00
Frame top height at front axle	Unladen (H1 / BEP H035)	mm	980.00
	Laden (H1 / BEP H036)	mm	922.00
Frame top height at drive axle	Unladen (H2 / BEP H037)	mm	955
	Laden (H2 / BEP H038)	mm	931
Frame top height at the rear of the frame	Unladen (HN)	mm	950.00
	Laden (HN)	mm	933.00
Centre of Gravity of vehicle	Unladen at Z (BEP H044)	mm	938.00
Side member height	(BEP H032)	mm	266.00

TOWING DEVICE

Wheelbase		mm	3.800
Distance between the front of the vehicle and the centre of the trailer coupling device	(BEP L073 + L016)	mm	4815.00
Distance between centre of last axle to centre of coupling device		mm	
Fifth wheel height, from top of side member	(BEP H074 + H071)	mm	270.00
Fifth wheel height from ground	Unladen (BEP H076)	mm	1228
	Laden (BEP H078)	mm	1200
Swept Swing Clearance	(BEP L078)	mm	2382.00
Fifth wheel position	Max. (Ymax / BEP L075)	mm	850
Gross Vehicle Weight	at YMAX	Kg	18000.00
Gross Vehicle Weight, load on front axle(s)	at YMAX	Kg	7500.00
Gross Vehicle Weight, load on rear axle(s)	at YMAX	Kg	10500.00
King Pin Load	at YMAX	Kg	10714.00
King Pin Load on Front Axle(s)	at YMAX	Kg	2318.00
King Pin Load on RearAxle(s)	at YMAX	Kg	8396.00
Fifth wheel position	Min. (Ymin / BEP L077)	mm	150
Gross Vehicle Weight	at YMIN	Kg	18000.00
Gross Vehicle Weight, load on front axle(s)	at YMIN	Kg	6500.00
Gross Vehicle Weight, load on rear axle(s)	at YMIN	Kg	11500.00
King Pin Load	at YMIN	Kg	10714.00
King Pin Load on Front Axle(s)	at YMIN	Kg	1318.00
King Pin Load on RearAxle(s)	at YMIN	Kg	9396.00
Fifth wheel position	Manufacturer's recommendation (Y / BEP L076)	mm	350
Gross Vehicle Weight	in fifth wheel position recommended by manufacturer	Kg	17635.00
Gross Vehicle Weight, load on front axle(s)	in fifth wheel position recommended by manufacturer	Kg	6135.00
Gross Vehicle Weight, load on rear axle(s)	in fifth wheel position recommended by manufacturer	Kg	11500.00
King Pin Load	in fifth wheel position recommended by manufacturer	Kg	10349.00
King Pin Load on Front Axle(s)	in fifth wheel position recommended by manufacturer	Kg	953.00
King Pin Load on RearAxle(s)	in fifth wheel position recommended by manufacturer	Kg	9396.00
Fifth wheel position	Intermediate 1	mm	300.00
Gross Vehicle Weight	in intermediate fifth wheel position 1	Kg	17487.00



Gross Vehicle Weight, load on front axle(s)	in intermediate fifth wheel position 1	Kg	5987.00
Gross Vehicle Weight, load on rear axle(s)	in intermediate fifth wheel position 1	Kg	11500.00
King Pin Load	in intermediate fifth wheel position 1	Kg	10201.00
King Pin Load on Front Axle(s)	in intermediate fifth wheel position 1	Kg	805.00
King Pin Load on RearAxle(s)	in intermediate fifth wheel position 1	Kg	9396.00
Fifth wheel position	Intermediate 2	mm	250.00
Gross Vehicle Weight	in intermediate fifth wheel position 2	Kg	17344.00
Gross Vehicle Weight, load on front axle(s)	in intermediate fifth wheel position 2	Kg	5844.00
Gross Vehicle Weight, load on rear axle(s)	in intermediate fifth wheel position 2	Kg	11500.00
King Pin Load	in intermediate fifth wheel position 2	Kg	10058.00
King Pin Load on Front Axle(s)	in intermediate fifth wheel position 2	Kg	662.00
King Pin Load on RearAxle(s)	in intermediate fifth wheel position 2	Kg	9396.00
Sliding fifth wheel	front fork	mm	4.81
	rear yoke	mm	4.32

WIDTHS

Wheelbase		mm	3.800
Max exterior cab width with rear view mirrors open	(BEP W001)	mm	2534.00
Max. cab width	(BEP W002)	mm	2534
Frame width	Front (BEP W035)	mm	1080
	Rear (BEP W036)	mm	850
Width at rear wheels	Rear axle 1 (V3 / BEP W003.1)	mm	2499
Track	Front (V1 / BEP W013.1)	mm	2028
	Rear 1 (V2 / BEP W013.2)	mm	1837

OTHER

Wheelbase		mm	3.800
Approach angle	(BEP H010)	°	14
Ramp angle	(BEP H012)	°	14.00
Departure angle	(BEP H011)	°	32.20
Side member thickness	(BEP W034)	mm	7.00
Turning Radius	Overall (BEP W012)	mm	7550.00
	kerb to kerb	mm	6856.00
	interior	mm	3118.00

DTI 11 ENGINE

Max. power output: 338 kW between 1700 and 1900 rpm

Max. torque: 2200 Nm from 1000 rpm to 1400 rpm

Power output (UK): 453 hp

6-cylinder in-line diesel engine - Common rail high-pressure fuel-injection (2000 bar) - 24 valves - overhead camshaft, rear-mounted timing

High pressure provided by three pumps on injector bodies
Bore 123 mm - stroke 152 mm - Capacity 10.8 L

Turbocharger

Electronically controlled fan

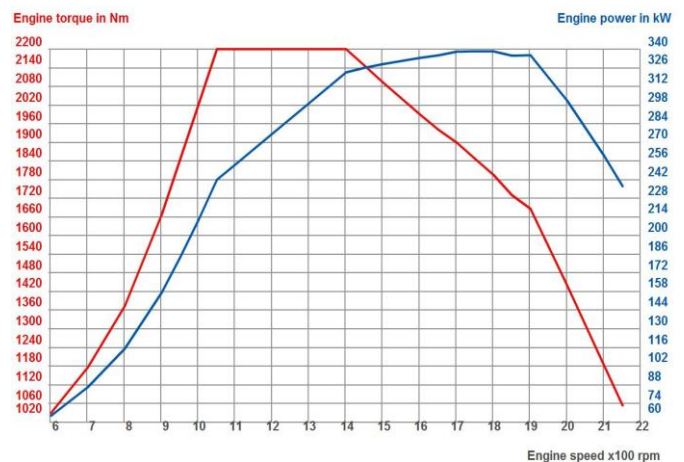
Direction of rotation (seen from G/B end): anti-clockwise

EEC EURO VI pollution control level

Compact after-treatment system (catalytic converter, DPF, SCR)

Automatic regeneration of particulate filter

Soundproofing level complies with EEC standards (80dB)



ENGINE EQUIPMENT

Power mode inhibited after passing the 'hard spot' of the accelerator pedal

Partial gas recycling (semi-closed circuit)

Automatic engine cut-off (5 min)

Without engine Power Take Off.

Electronic speed limiter (90 km/h).

GEARBOX

Optidriver gearbox AT 2412F (14.94 - 1) automated clutch. Aluminium housing. Max. torque 2400 Nm, 12 forward gears and 3 reverse gears

Choice of mode of use on steering wheel (automatic/manual)
Steering wheel mounted gear selector.

Optivision gear shifting strategy optimised for FUEL ECO (Based on previously covered topography and from centralised data storage).

Gearbox rear intermediate housing in aluminium

RETARDER

OPTIBRAKE (power rating 300 kW at 2300 rpm):

combination of the exhaust brake and valve compression braking, coupled to service brake

POWER TAKE-OFFS

Without gearbox mounted PTO

STEERING

Right hand drive.

Hydraulic power steering, variable flow pump

Steering ratio 20:1 - Steering wheel diameter 460 mm

Driving on the left

AXLE

Load capacity (technical max.) Front axle: 7.5 t.

CLUTCH

Single-plate clutch, diameter 430 mm

REAR DRIVE AXLE

P13170-D single reduction final drive axle

Rear loading capacity (technical max.): 13 t

Drive axle ratio: 2.64

Engine speed at 90 km/h: 1280 rpm

WHEELS AND TYRES

Dimension 315/70 R22.5

Profile C, ECOPLUS HS3-XL/HD3

Steel disc wheels

Front wheel trims

Without spare wheel.

BRAKING

Service brake:

Braking system with two independent circuits.

Ventilated disc brakes.

Electronic management of air production by EACU (Electronic Air Control Unit):

Dryer cartridge optimised by preventive maintenance.

Twin-cylinder air compressor 900 l/min, 636 cm³

Disengageable air compressor

Aluminium air tanks.

Brake hose couplers, UK standard

Electrical lead with one 15-pin connector to two 7-pin connectors (24N, 24S)

Dummy sockets for electrical cables on DFR
Trailer brake device at cab rear

EBS:

Anti-lock braking system (ABS).
Anti-slip regulation (ASR).
Drag torque control (Torque control during downshifting).
Brake harmonisation of tractor and trailer (if equipped)
(Disc) brake pad wear compensation
Retarder and service brake linking
Differential engagement management (if equipped) at speeds <10 km/h (4x2)
Hill Start Aid
Braking performance warning
ESC (Electronic Stability Control) trajectory control and anti-rollover system
Coupling traction test
Emergency brake assist (EBA)
Emergency brake lights (EBL)

Parking brake:

EPB (Electronic Parking Brake) automatic parking brake, immobilization provided by spring cylinders

Brake adjustment:

Automatic brake lining slack compensation.

Emergency brake:

Ensured by independence of main device circuits

CAB

Cab exterior:

All steel Cab, electro-zinc plated and cathophoretic paint treatment.
Sleeper Cab
Black fog lamp trims
Dark grey front face finish
Aerodynamic dirt deflectors on the headlamps
4-point cab air suspension with ride-height control system
Two side doors of which one is accessible from inside the cab
2 heated, remote control rear view mirrors.
2 wide angle rearview mirrors.
Kerb view mirror.
Rear view mirrors for bodywork up to 2.55 m wide
Fold-back front view mirror
Rearview mirrors silver finish
Air horn
Spray suppression on front wings
Adjustable roof deflector
Side deflectors (left-hand opening panel)
Door extensions
Cab accessories: cab colour
External sun visor.
Tinted, laminated windscreen.
Without rear window.

Cab interior:

Ultimate Alu finish

Performance roof console, 4 storage compartments with doors including 1 with key lock, 1 storage space with net, 4 ISO modules

Electric interior sun blind on windscreen, manual blinds on driver and passenger side windows

Mono CD player, MP3/WMA format-compatible

Double tuner for immediate radio station list update

Steering column-mounted radio controls

Jack (3.5 mm) and USB inputs for MP3 player

Hands-free interface for mobile telephone (Bluetooth technology), Audio streaming, steering wheel controls, microphone in the roof console, audio playback through vehicle speakers

Information on the main information display

CB pre-equipment.

DTCO 3.0 digital chronotachograph

Offset 24 V socket

Electrically operated roof hatch.

Mosquito net on air vent

Interior roof grab handle

Rubber insulating floor mats

Air-suspended driver's seat with fitted seat belt, adjustable lumbar support, adjustable seat cushion extension, heated seat (0-1-2), anti-perspiration ventilated seat.

Two driver's armrests

Safety belt warning.

Air-suspended passenger seat with seatbelt.

Passenger armrest

Cloth seat trim.

Performance lower bunk

Drawer under bunk with document holder

Reading lamps on overhead ledge

Direct cab lighting

Red night lighting

Cab lighting time-delay.

Curtains around cab. Curtain separating driving position from rest area.

Bunk area lighting

Bunk area remote control

12 and 24 V sockets on bunk

Provision for 50A max. electrical power supply

2 storage boxes under bunk, one accessible from interior and exterior

Two coat hooks on rear panel and one on passenger side

One-touch electric windows

Cab independent night heater air/air (2 kW)

Electronically regulated comfort air conditioning with compressor optimisation

Cab air filtration

Handbook and Service pack in English.

4 loudspeakers and 2 tweeters

Steering wheel equipment:

Ultimate leather steering wheel with cruise control and telephone control

OPTIDRIVER control

OPTIBRAKE and retarder control on right-hand side

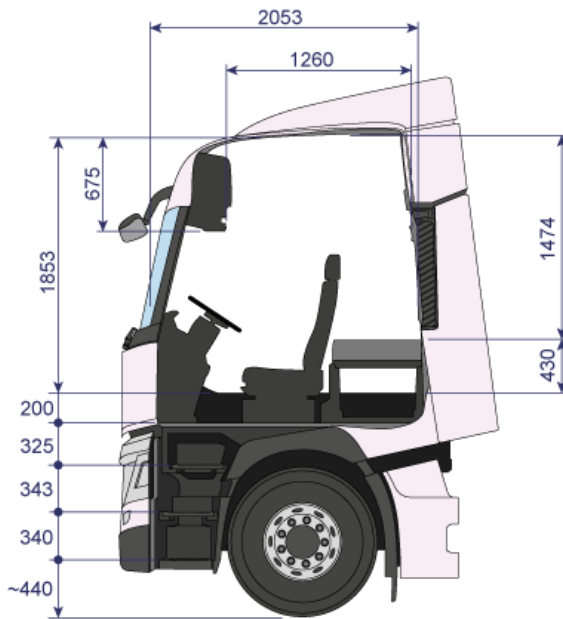
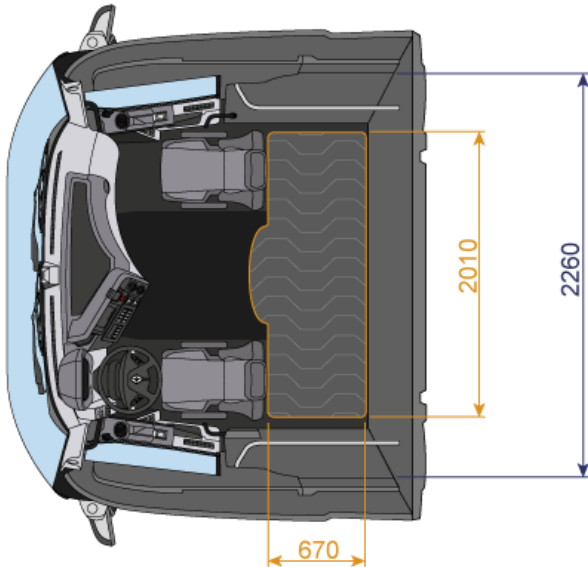
Easy Access steering column adjustable in 3 directions

Removable writing board on steering wheel

Instrument panel:



7" HD colour information display
Speedometer in miles
12 V + 24 V socket on dashboard, for accessories.
Starting inhibitor controlled by transponder key.
Remote control central door locking with folding key
Two additional ignition keys
ECO Cruise control with Optiroll



ELECTRICAL EQUIPMENT

Battery capacity: 225 Ah
Batteries mounted side by side on LH side.
Maintenance-free batteries

Battery cut-out remote control
Electrical circuit automatically goes to standby
Battery charge indicator
Alternator : 150 amp capacity.
LED rear signalling and lighting (EEC standard e2 10113)

CHASSIS

chassis protective paintwork, mineral grey colour
technical code: 03650
Removable front towing cap.
Front under-run protection.
Closing cross member with pre-drilling for towing yoke
Manual sliding medium fifth wheel mounting H=50 mm
Sheet metal Fontaine SP150 (sheet metal) 2" fifth wheel, D 150 kN
Fifth wheel position: Y = 350 mm
Extended rear platform.
Rear wings with anti-spray
Wings fitted in standard position.
Side exhaust.

BUMPER - STEPS AND LIGHTING

3-part plastic bumper
Retractable windscreen access step in radiator grille
Access to driving position by 3 steps
Step lighting.
Automatic windscreen wiping with rain sensor
Automatic lights
Electrical headlamp levelling control.
LED day running lights
Provision for lighting rail on front end
White LED work light (850 lm)
Front fog lights.
Halogen headlights
Roof beacon pre-equipment

SUSPENSION

Front suspension

2-leaf front leaf springs
Stabiliser bar

Rear suspension:

Rear air suspension.
Suspension remote control

FUEL TANK

Main aluminium tank
Main fuel tank: 490 litres capacity D710 profile mounted on right
Sedimenter and prefilter (R60). Bleed control on dashboard.

AdBlue

64-litre AdBlue tank (D710)

Urea tank on the left

Interface for bodybuilder connections and BBM module (Body Builder Module)

STANDARD EQUIPMENT

Axle with zero-maintenance steering knuckles
Tool kit.
Reversing warning buzzer, including night switch.
Windscreen washer bottle capacity: 12L

BODYWORK

Side marker lights.

GEARBOX RATIOS

1	2	3	4	5	6	7	8	9	10	11	12
14.94	11.73	9.04	7.09	5.54	4.35	3.44	2.70	2.08	1.63	1.27	1.00

The manufacturer reserves the right to modify the specifications above without prior notice.

Non contractual document.

For further assistance please contact Product Applications at Renault Trucks UK Limited, Wedgnoek Lane , Warwick , CV34 5YA Telephone +44 (0)1926 475333.

SERVICE

Optifleet:

Optifleet Check: technical data reports for fuel consumption monitoring by vehicle and by driver, 2-year prepaid subscription

